



Outperform every day.™

Project:

Item Number:

Quantity:

CAYENNE® ELECTRIC FLAT TOP GRIDDLES



Cayenne® Electric Flat Top Griddle

DESCRIPTION

Vollrath Cayenne® Electric Griddles are portable and compact. They serve up the best steaks, chops, burgers, mixed grills, seafood and pancakes. They are ideal for breakfast, lunch and dinner. The 120V unit is ideal for caterers and breakfast buffets or brunches. Ideal for use in steak houses, restaurants, coffee shops, clubs and pubs. Vollrath electric griddles are portable and compact for outside caterers.

ITEMS

| Item No. | Model No. | Description |
|----------|-----------|-------------------------------|
| 40715 | FTA7016 | 14" Electric Flat Top Griddle |
| 40716 | FTA8024 | 24" Electric Flat Top Griddle |
| 40717 | FTA8036 | 36" Electric Flat Top Griddle |

FEATURES

- Superior element design ensures even heating over entire cooking surface
- Snap-action thermostat provides accurate temperature control
- Thermostatically controlled, maximum temperature of 570°F (299°C)
- Fast startup and recovery times
- Heavy-duty cooking surface for high heat retention
- Griddle plate is fully welded to base
- Knob guards protect against accidental changes or damage
- Internally-mounted grease collection pan for cleaner appearance and easier cleaning and maintenance
- 120V, 14" griddle is ideally sized for buffet, brunch, or catering applications
- 36" griddle features independent controls per 12" heating zone, creating multiple stations in one unit
- Heavy-duty adjustable legs
- 3 ft. (91.4 cm) cord with plug

WARRANTY

All models shown come with Vollrath's standard warranty against defects in materials and workmanship. For full warranty details, please refer to www.Vollrath.com.

CLEARANCE AND ENVIRONMENT REQUIREMENTS

This appliance must be placed on a surface that is non-combustible. Adjacent surfaces must also be non-combustible. The supplied legs must be installed.

Agency Listings



Due to continued product improvement, please consult www.vollrath.com for current product specifications.

| Approvals | Date |
|-----------|------|
| | |



Outperform every day.™

www.vollrath.com

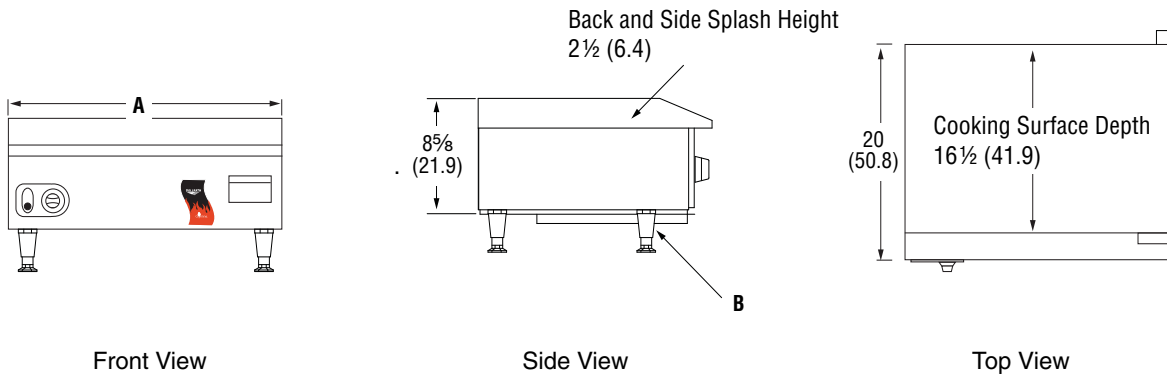
The Vollrath Company, L.L.C.

1236 North 18th Street
Sheboygan, WI 53081-3201 U.S.A.
Main Tel: 800.624.2051 or 920.457.4851
Main Fax: 800.752.5620 or 920.459.6573
Customer Service: 800.628.0830
Canada Customer Service: 800.695.8560

Technical Services
techservicereps@vollrathco.com
Induction Products: 800.825.6036
Countertop Warming Products: 800.354.1970
All Other Products: 800.628.0832

CAYENNE® ELECTRIC FLAT TOP GRIDDLES

DIMENSIONS (Shown in inches (cm)).

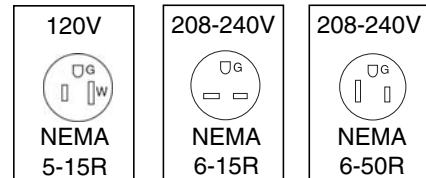


SPECIFICATIONS

| Item | (A) Width | (B) Leg Adjustment | Number of Controls | Watts | Volts | Amps | Ship Weight Lb (Kg) | Plug |
|-------|------------------|--------------------------|-----------------------|-------|-------|------|------------------------|---------------|
| 40715 | 14 1/4 (36.2) | 2 3/8 - 3 3/8 (6-8.6) | 1 | 1800 | 120 | 15 | 49 (22.2) | NEMA 5-15P |
| 40716 | 23 3/4 (60.3) | | 1 | 3000 | 220* | 13.6 | 78 (35.4) | NEMA 6-15P |
| 40717 | 35 1/4 (89.6) | 4-5 1/2 (10.2-14) | 3 | 8400 | 220* | 38.2 | 110 (49.9) | NEMA 6-50P |

*Single Phase

Receptacles



Outperform every day.™

www.vollrath.com

The Vollrath Company, L.L.C.

1236 North 18th Street
 Sheboygan, WI 53081-3201 U.S.A.
 Main Tel: 800.624.2051 or 920.457.4851
 Main Fax: 800.752.5620 or 920.459.6573
 Customer Service: 800.628.0830
 Canada Customer Service: 800.695.8560

Technical Services
techservicereps@vollrathco.com
 Induction Products: 800.825.6036
 Countertop Warming Products: 800.354.1970
 All Other Products: 800.628.0832