



PROJECT NAME: _____

LOCATION: _____

SPECIFIER ITEM NO. _____ QTY: _____

COMPONENT HARDWARE PART NO. _____

Component Hardware® 7/8" W Zinc Plated Steel Snap-In Shelf Support Clip With 1/4" H Tab

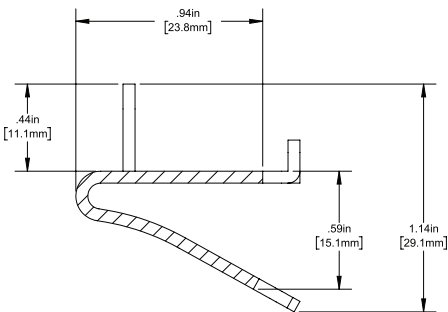
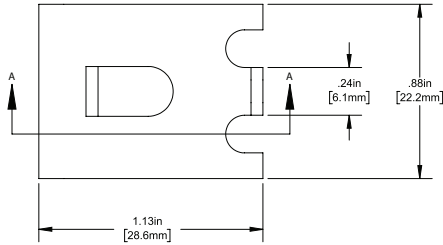
T30-5131



7/8" W Zinc Plated Steel Snap-In Shelf Support Clip With 1/4" H Tab

Specifically designed for refrigerated door applications

- Zinc plated steel construction
- Clip snaps securely into pilaster
- Used to support solid or wire shelving in cabinets, reach-in refrigerators and freezers
- 7/16" H tab insures shelf remains secure on clip



Dimensions shown in inches (mm) are for reference only and are subject to change.

Shipping weight - 0.4 lbs