




Project Type Instructions	Date: June 28 2023 Customer: SignatureWares Job Number: TH5509 Item Number: PS199SW Designer: Robert Watson	Revision: B	 Contact: Graphic's Department graphics@thermor-ins.com
UPC (For Reference Only)  8 42405 09199 8	Reason For Project: New Item: New Branding: Design Update: X N/A:	Artwork is not to be amended or scaled. If any changes are required please send through Thermor office with instructions, and we will amend here and resend artwork through. PLEASE RETURN WITH SIGNATURE	Colour Breakdown 

SignatureWares

PS199SW

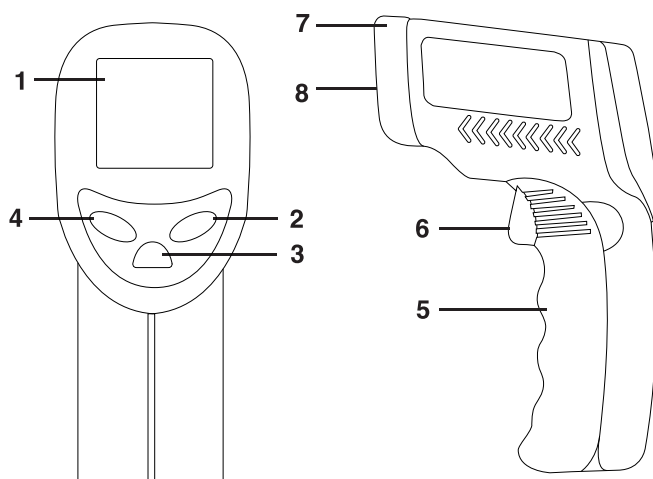
INFRARED THERMOMETER INSTRUCTIONS

This professional food safety thermometer uses infrared technology to offer the convenience of instant non-contact surface scanning. Simply aim and push the button. This thermometer reads surface temperatures in less than a second. This unit safely measures surface temperatures of hot, hazardous, or hard to reach objects without contact.

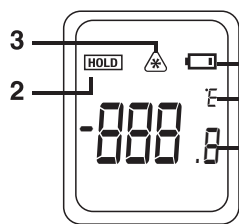
CAUTION

- When device is in use, **do not** look directly into the laser beam as permanent eye damage may result.
- Do not** leave the unit near objects of high temperature.
- Use caution when operating the laser.
- Never point the device towards anyone's eyes.
- Keep out of reach of children.

PRODUCT DIAGRAMS:



- | | | |
|-------------------|---------------------|------------------|
| 1. LCD | 2. Backlight button | 3. Laser Signal |
| 4. °C / °F button | 5. Battery cover | ON/OFF button |
| 6. Trigger | 7. Laser | 8. Infrared lens |



- Low battery symbol
- Data hold icon
- Laser signal
- °C / °F symbol
- Current temperature

HOW IT WORKS:

The Infrared Thermometer measures the surface temperature of an object. The laser makes aiming and measurement more precise. The unit's

optical sensor emits, reflects, and transmits energy which is collected and focused onto a detector. The unit internally translates this information into a temperature reading which is displayed on the unit.

QUICK START INSTRUCTIONS:

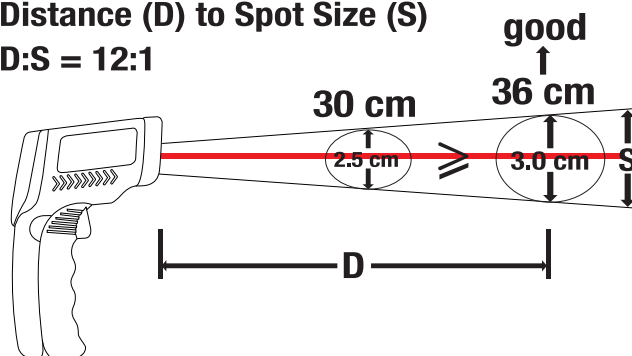
- Pull battery door clip to open and install battery according to the instructions inside the battery compartment.
- Press the blue trigger and the LCD display will show the reading and battery icon. Release trigger and the reading will hold for 15 seconds.
- To find a hot spot, aim the thermometer outside the area of interest. Then scan across the area with up and down motions until you locate the hot spot. Remember to turn on the laser for accurate measuring.

DETAILED OPERATING INSTRUCTIONS:

- When taking a measurement point the thermometer towards the object to be measured and hold the trigger. The object being tested should be larger than the spot calculator.

Distance (D) to Spot Size (S)

D:S = 12:1



- Distance and spot size: As the distance from the object increases, the spot size of the measuring area becomes larger.
- Field of view: Make sure the target is larger than the unit's spot size. The smaller the target the closer the measurement distance.
- Emissivity: Most organic materials, painted or oxidized surface have an emissivity of 0.95 (pre-set in the unit). Inaccurate readings will result from measuring shiny or polished metal surfaces.

SPECIFICATIONS	
Temperature range	-50°C to 280°C / -58°F to 536°F
Accuracy	+/- 2% or 2°
Resolution	0.1°C (0.1°F)
Responsive time	0.8 seconds
Emissivity	0.95 fixed
Distance to spot ratio	12:1
Spectral response	8-14um
Power	9V battery (included)

STORAGE & CLEANING:

- Storage Temperature: -20°C to 50°C / -4°F to 122°F
- Lens cleaning: Use clean compressed air to blow off loose particles. Use a soft brush to remove debris. Then clean it with a wet cloth.
- Case cleaning: Clean the case with a damp sponge/cloth and mild soap.

Note: Do not use a solvent to clean lenses and do not submerge unit in water.

ONE YEAR WARRANTY:

The Infrared Thermometer has a 1 year warranty to be free of manufacturing defects in materials and workmanship under normal applications for the original owner. If this product becomes inoperable due to defect, visit www.russellhendrix.com/topic/signaturewares_warranty to arrange a return, if eligible. The original receipt is required to provide the original invoice number, product item number, and quantity purchased to confirm items are eligible for return. All component pieces and proof of purchase must be included with any return. This warranty does not cover any shipping/transport costs. This warranty does not apply if the product is subject to misuse, neglect, rough handling or damage.

www.signaturewares.com

