

QUEST

Gas Salamander Broiler

With efficient infrared gas burners, the QUEST QSB has a 10 second warm up time and distributes even heat. Stainless steel sides, top and front are standard construction. The heavy-duty QSB comes in three standard sizes. This unit can be mounted on a range, wall or counter and is easily serviced from the front.



Model QSB 36

Product Features

- Heavy duty roll out rack
- Throttles to extremely low heat
- Powerful heat on high setting
- Stainless steel front and ends standard
- Rapid heat-up time – 10 seconds, full heat – 2 minutes
- Two burners, each with accurate temperature control Hi-Low valves **36" Model only**
- Versatile and durable

Optional Features

- Available in 36" (914 mm), 24" (610 mm) and 18" (457 mm) widths
- SS under panel
- Flexible gas connector kit
- Counter mount kit
- Range mount kit
- Wall mount kit
- Extended wall mount kit



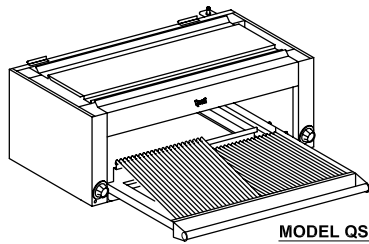
889 Erin Street
Winnipeg, MB R3G 2W6

Office: 204.786.2403
Fax: 204.783.7598

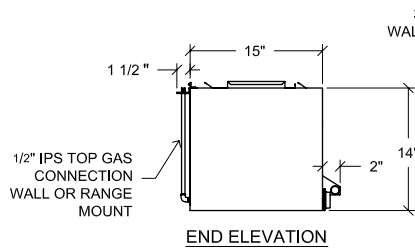
sales@questmetal.com
questmetal.com

QUEST
A DIVISION OF
Russell-Hendrix

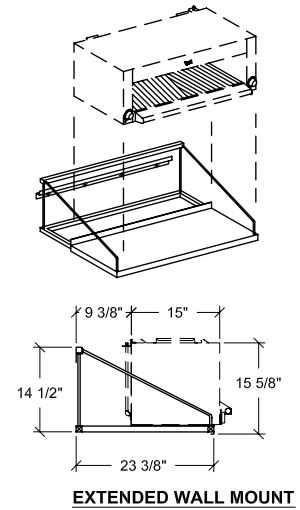
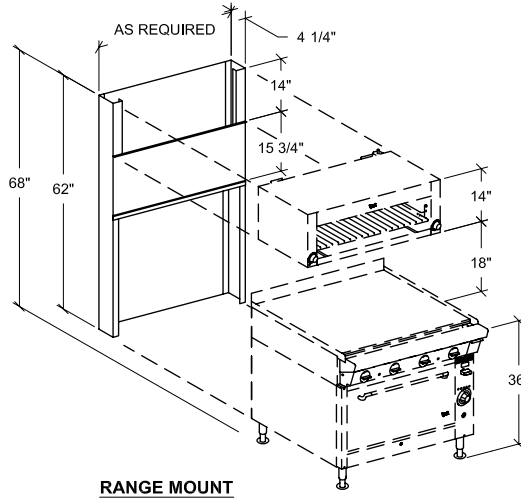
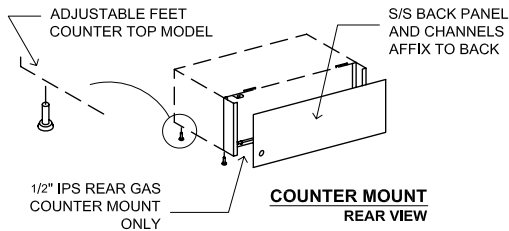
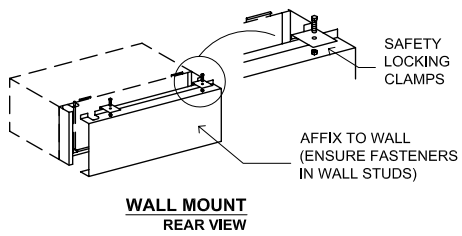
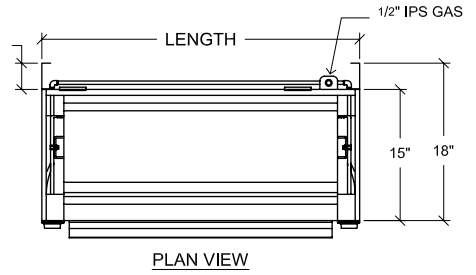
Gas Salamander Broiler



MODEL QSB-36 SHOWN



3" COUNTER OR WALL MOUNT ONLY



MODEL	WIDTH (mm)	DEPTH (mm)	BODY HEIGHT (mm)	BTU's	GAS LINE	SHIPPING WEIGHT	
						LBS	KGS
QSB 18	18" (457)	15" (381)	14-3/4" (375)	21,000	1/2" (13)	95	43
QSB 24	24" (610)	15" (381)	14-3/4" (375)	28,000	1/2" (13)	110	50
QSB 36	36" (914)	15" (381)	14-3/4" (375)	49,000	1/2" (13)	145	66

NOTE: Dimensions are accurate at time of publication but subject to change without notice. If sizes are critical, consult the factory.

