



# Operator's Manual

## Conveyor Toasters, 350-1000 Slices Per Hour\*

Models JT2, JT2H, JT3, JT3H

Thank you for purchasing this Vollrath equipment. Before operating the equipment, read and familiarize yourself with the following operating and safety instructions. **SAVE THESE INSTRUCTIONS FOR FUTURE REFERENCE.** Save the original box and packaging. Use this packaging to ship the equipment if repairs are needed.



### SAFETY PRECAUTIONS

To ensure safe operation, read the following statements and understand their meaning. This manual contains safety precautions which are explained below. Please read carefully.

#### **WARNING**

Warning is used to indicate the presence of a hazard that will or can cause severe personal injury or death.

#### **CAUTION**

Caution is used to indicate the presence of a hazard that will or can cause minor or major personal injury if the caution is ignored.

**NOTICE:** Notice is used to note information that is important but not hazard-related.

#### To reduce risk of injury or damage to the equipment

- Plug only into grounded electrical outlets matching the voltage on the rating plate.
- Use this equipment in a flat, level position.
- Unplug equipment and let it cool before cleaning or moving. Equipment remains hot after it is turned off.
- Do not touch during operation.
- Unplug when not in use.
- Keep equipment and power cord away from open flames, electric burners or excessive heat.
- Do not operate unattended.
- Closely supervise equipment operating in public areas and/or around children.
- Do not operate if equipment has been damaged or is malfunctioning in any way.

### FUNCTION AND PURPOSE

This equipment is intended to toast bread products. It is intended for use in commercial foodservice operations only. It is not intended for household, industrial or laboratory use. The JT2H and JT3H model toasters are not recommended for toasting standard size bread.

Item No.	Model	Voltage	Slices Per Hour* (Up to)	Product Opening	Plug
CT4-120450	JT2	120	450	1½ (3.8)	NEMA 5-15P
CT4-208800		208			
CT4-220800		220	800		NEMA 6-20P
CT4-240800		240			
CT4-23080003		220-240			UK
CT4-23080002					
CT4H-120300	JT2H	120	300	Adjustable 1½ - 3 (3.8 - 7.6)	NEMA 5-15P
CT4H-208550		208			
CT4H-220550		220	550		NEMA 6-20P
CT4H-240550		240			
CT4H-23055003		220-240			UK
CT4H-23055002					
CT4-2081000	JT3	208	1000	1½ (3.8)	NEMA 6-30P
CT4-2201000		220			
CT4-2401000		240			
CT4-2301000		220-240			Stripped Ends
CT4H-208950	JT3H	208	950	Adjustable 1½ - 3 (3.8 - 7.6)	NEMA 6-30P
CT4H-220950		220			
CT4H-240950		240			
CT4H-230950		220-240			Stripped Ends

\* Slices per hour is based on maximum conveyor speed. Conveyor speed determines toasting time and affects color and texture of the toast. Results may vary based upon type of bread, color and texture preference.

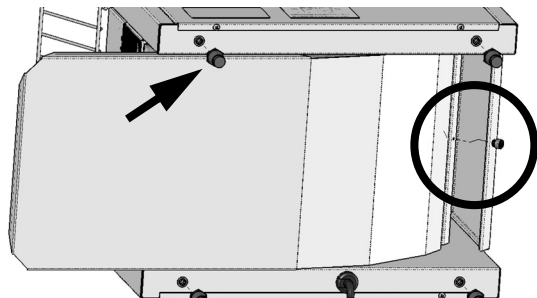
### CLEARANCE AND ENVIRONMENT REQUIREMENTS

Do not place on surfaces or near walls, partitions or kitchen furniture unless they are made of non-combustible material or clad with non-combustible heat-insulating material. Toasters must not be used near or below curtains and other combustible materials.

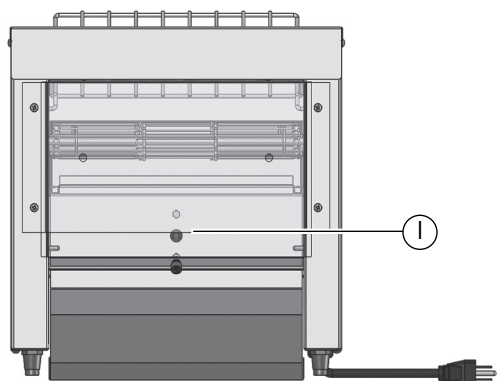
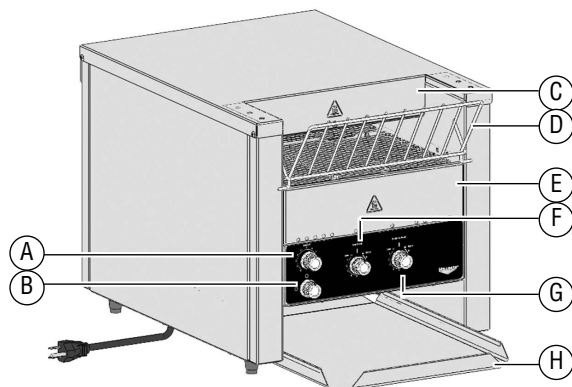
Do not place the toaster adjacent to a heat producing appliance.

## SET UP

1. Place the toaster on a hard, flat, stable surface.
  2. Turn the toaster on it's side with the bottom facing you.
  3. Install the feet.
- NOTICE: Feet must be installed. Failure to install the feet will restrict airflow and cause the toaster to overheat.**
4. Install the collection pan by placing the back edge of the pan on the lip at the back of the toaster. Line up the hole in the pan with the screw. Tighten the screw to secure the collection pan.



## FEATURES



Back View

### A Conveyor Speed Control Knob    B Power Knob

| Full Power - maximum heat

○ Off

○ Standby - reduces electrical consumption by up to 75%.

**C Heat Shield** - Adjustable on the high-clearance toasters

**D Feed Ramp**

**E Crumb Tray**

**F Top Heat Control Knob**

**G Bottom Heat Control Knob**

**H Collection Pan**

**I Reset Button** (Reference only. Access is via the front of the toasters. See page 3.)

## BEFORE FIRST USE

1. Clean the toaster. See "Daily Cleaning" on page 3.

## OPERATION



### CAUTION

#### Burn Hazard

Do not touch the equipment while it is heating or operating. Hot surfaces can burn skin.

**NOTICE: The crumb tray must be installed in the toaster during operation. Failure to install the crumb tray will cause the toaster to overheat.**

### Adjust the Heat Shield (Models JT2H and JT3H)

Excess space above the product will create heat loss and may reduce performance.

1. When the equipment is cool to the touch, use a screwdriver to loosen the screw on the heat shield.
2. Grasp the shield and pull it up or down to adjust the opening so the tallest products can pass through. Re-tighten the screw.

### Preheat

Plug the toaster into a grounded electrical outlet that matches the rating on the name plate found on the side of the toaster.

**NOTICE: Using a voltage other than the nameplate rated voltage will cause damage to the unit. Incorrect voltage, modification to the power cord or electrical components can damage unit and will void the warranty.**

1. Rotate the power knob to the full power position (I).
2. Set the conveyor speed control knob to 7.
3. Rotate the top and bottom heat control knobs to high.
4. Wait 5 minutes for the toaster to preheat.

### Test

1. Adjust the settings for the product to be toasted.

#### Tips

Product	Suggestions
Bagels, wheat or rye bread or products with high moisture content.	Use a slower conveyor speed.
Buttered or coated, such as pastries	Not recommended.
Frozen	Must be thawed before toasting.

2. Test the settings by placing a sample of the food to be toasted onto the feed ramp. Place bagels or buns onto the feed ramp with the cut side facing up.

#### For One-Sided Toasting

TOP heat control to the desired setting.

BOTTOM heat control to the OFF position.


### Toast the Bread

1. Adjust the top and bottom heat control settings and conveyor as needed for even toasting. Allow time for the toaster to adjust to new heat settings before placing bread or sandwiches on the conveyor.
2. For best performance do not overload the toaster. Wait a few seconds before loading a second row of bread or sandwiches into the toaster.

## If an Item Becomes Stuck

1. Rotate the power knob to the OFF position (O) and unplug the equipment.
2. Let the equipment cool completely. Use tongs to remove the item. Take care to not bump the heating elements above and below the conveyor.

## CLEANING

	<b>WARNING</b> <b>Electrical Shock Hazard</b> Do not spray water or cleaning products. Liquid could contact the electrical components and cause a short circuit or an electrical shock.
---	---

	<b>CAUTION</b> <b>Burn Hazard</b> Allow equipment to cool before moving or cleaning.
---	--

**NOTICE:** Do not use abrasive materials, scratching cleansers or scouring pads to clean the exterior of the equipment. These can damage the finish.

**NOTICE:** Heating elements do not need to be cleaned. Crumbs and food debris will burn off. Over time the heating elements may develop a chalky appearance, but this will not impact performance.


## Daily Cleaning

1. Before turning off the equipment and with the conveyor rotating, watch the conveyor belt for food debris.
2. When the food debris reaches the front of the conveyor, rotate the power knob to the OFF position.
3. Wait for the fan to stop running. Unplug the equipment.
4. Let the equipment cool completely.
5. When the equipment is cool, use a brush or scrub pad to remove the food debris.
6. To clean the exterior, use a soft cloth dipped in hot soapy water to wipe the exterior and fan air intake under the equipment. If needed, wipe the fan intake area with degreaser to prevent long term build up.
7. Empty and clean the crumb tray(s).

## PREVENTATIVE MAINTENANCE

Contact an authorized service agent for a professional cleaning of the components.

## TROUBLESHOOTING

Problem	Might be Caused By	Course of Action
Toaster does not heat and the conveyor belt does not move.	Toaster is not plugged in.	Plug in the toaster.
	Power knob setting is incorrect.	Rotate the power knob to the ON (I) position.
	The wall breaker may be tripped.	<ol style="list-style-type: none"> <li>1. Inspect for tripped breaker.</li> <li>2. Reset the breaker.</li> <li>3. If the breaker was not tripped, inspect the toasting chamber for broken heat element tubes</li> <li>4. For broken tubes, contact Vollrath Technical Services.</li> </ol>
	The reset may be tripped.	<p>Look under the toaster to see if an object is preventing the fan blades from turning.</p> <ol style="list-style-type: none"> <li>1. Rotate the heat control knobs to the OFF position.</li> <li>2. Rotate the power knob to the OFF (O) position.</li> <li>3. Unplug the toaster.</li> <li>4. Wait 30 minutes for the toaster cool.</li> <li>5. Remove the object.</li> <li>6. Plug in the toaster.</li> <li>7. Rotate the power knob to the ON (I) position.</li> <li>8. Press the reset button. You should hear and feel the button reset. The toaster should start to operate.</li> </ol>
		
		9. If the problem persists call Vollrath Technical Services.

Problem	Might be Caused By	Course of Action
Toaster does not heat and the conveyor belt does not move.	The reset may be tripped.	Inspect the fan blades to see if they are dirty. 1. Rotate the heat control knobs to the OFF position. 2. Rotate the power knob to the OFF (O) position. 3. Unplug the toaster. 4. Wait 30 minutes for the toaster cool. 5. Clean the fan blades. 6. Plug in the toaster. 7. Rotate the power knob to the ON (I) position. 8. Press the reset button. 9. If the problem persists call Vollrath Technical Services.
Toaster heats and the conveyor belt does not move.	There may be a problem with the motor/speed control or drive chain.	Contact Vollrath Technical Services.
Top or bottom heater tubes do not heat.	One or more heater tubes may have burned out.	Contact Vollrath Technical Services.
	Heat control switch may be broken.	
Toaster repeatedly overheats.	The crumb tray may not be installed.	Verify the crumb tray is installed.
	The fan may be dirty.	Verify the fan blades are clean. See instructions above for inspecting and cleaning the fan blades.
	There may be a problem with the fan.	Run the toaster for 10 minutes. If the fan does not run, contact Vollrath Technical Services.
The fan is not running.	There may be a problem with the fan or the fan switch.	Run the toaster for 10 minutes. If the fan does not run, contact Vollrath Technical Services.
The toaster is turned off and the fan is running.	Normal operation. The fan turns on as needed to cool the toaster.	–

## SERVICE AND REPAIR

When under warranty, repair is available for this product. To begin the process:

1. Contact Vollrath Technical Services at 1-800-309-2250. Please be ready with the item number, model number and serial number. You can find this information on the nameplate located on the side or back of the equipment. Also please provide a proof of purchase indicating the date the equipment was purchased.
2. A technical services representative will help you troubleshoot the problem over the phone.
3. If the representative determines the issue requires professional service, he or she will help you locate an authorized service center.
4. Contact the authorized service center to make arrangements for the repair. Vollrath will cover the cost to repair and/or replace defective parts within the equipment warranty period.

## WARRANTY STATEMENT FOR THE VOLLRATH CO. L.L.C.

The Vollrath Company LLC warrants the products it manufactures or distributes against defects in materials and workmanship as specifically described in our full warranty statement. In all cases, the warranty runs from the date of the end user's original purchase date found on the receipt. Any damages from improper use, abuse, modification or damage resulting from improper packaging during return shipment for warranty repair will not be covered under warranty.

The warranty does not apply to products purchased for personal, family or household use, and The Vollrath Company LLC does not offer a written warranty to purchasers for such uses.

Warrantied Parts: The warranty period is 2 years parts, 1 year labor.

Heater Tubes: The warranty period is 1 year, including labor. Heater tube glass damage is not covered by this warranty.

For complete warranty information, product registration and new product announcements, visit [www.vollrath.com](http://www.vollrath.com).

The Vollrath Company, L.L.C. Headquarters  
1236 North 18th Street  
Sheboygan, Wisconsin  
53081-3201 USA  
Main Tel: 800-624-2051 or 920-457-4851  
Main Fax: 800-752-5620 or 920-459-6573  
Canada Customer Service: 800-695-8560  
Tech Services: [techservices@vollrathco.com](mailto:techservices@vollrathco.com)  
[www.vollrath.com](http://www.vollrath.com)

Pujadas  
Ctra. de Castanyet,  
132 P.O. Box 121  
17430 Santa Coloma de Farners  
(Girona) – Spain  
Tel. +34 972 84 32 01  
[info@pujadas.es](mailto:info@pujadas.es)

Vollrath of China  
Vollrath Shanghai Trading Limited  
Room 201, Building A  
Xin Yi Plaza  
1618 Yi Shan Road  
Shanghai, 201103  
China, P.R.C.  
Tel: +86-21-5058-9580

Vollrath de Mexico S. de R.L. de C.V.  
Periferico Sur No. 7980 Edificio 4-E  
Col. Santa Maria Tequepexpan  
45600 Tlaquepaque, Jalisco | Mexico  
Tel: (52) 333-133-6767  
Tel: (52) 333-133-6769  
Fax: (52) 333-133-6768

## Grille-pains convoyeurs, 350-1000 tranches par heure\* Modèles JT2, JT2H, JT3 et JT3H

Merci d'avoir acheté cet appareil Vollrath. Avant d'utiliser cet appareil, lisez et familiarisez-vous avec le mode d'emploi et les consignes d'utilisation qui suivent. CONSERVEZ CES INSTRUCTIONS POUR RÉFÉRENCE ULTÉRIEURE. Conservez l'emballage et le carton d'origine. L'emballage devra être réutilisé pour expédier l'appareil si une réparation est nécessaire.



### CONSIGNES DE SÉCURITÉ

Pour garantir un fonctionnement sûr, lisez les avertissements suivants et comprenez leur signification. Ce manuel contient des consignes de sécurité, présentées ci-dessous. Lisez-les attentivement.



#### AVERTISSEMENT

Un avertissement permet d'indiquer la présence d'un danger qui causera ou peut causer des blessures personnelles graves ou la mort.



#### ATTENTION

Une mise en garde indique la présence d'un danger qui causera ou pourra causer des blessures mineures ou majeures si elle est ignorée.

**AVIS :** Un avis met en évidence des informations qui sont importantes mais sans rapport avec un danger.

#### Pour réduire le risque de blessures et d'endommagement de l'appareil

- Branchez l'appareil uniquement sur une prise de terre correspondant à la tension indiquée sur la plaque des valeurs nominales.
- Utilisez cet appareil bien calé à l'horizontale.
- Débranchez l'appareil et laissez-le refroidir avant de le nettoyer ou de le déplacer. L'appareil reste chaud après sa mise hors tension.
- Ne touchez pas l'appareil en cours de fonctionnement.
- Débranchez l'appareil lorsque vous ne comptez pas l'utiliser.
- Tenez l'appareil et son cordon d'alimentation à l'écart des flammes nues, des brûleurs électriques ou d'une chaleur excessive.
- N'utilisez pas l'appareil sans surveillance.
- Surveillez de près les appareils utilisés dans des lieux publics et/ou à proximité d'enfants.
- N'utilisez pas l'appareil s'il a été endommagé ou s'il fonctionne mal.

### FONCTION ET OBJET

Cet appareil est destiné à faire griller le pain. Il est réservé à une utilisation dans les opérations de restauration commerciales. Il n'est pas destiné à une utilisation domestique, industrielle ou en laboratoire. Les grille-pains modèles JT2H et JT3H sont déconseillés pour faire griller le pain de taille standard.

Num. d'art.	Modèle	Tension	Tranches par heure* (max.)	Ouverture produit	Fiche	
CT4-120450	JT2	120	450	1½ (3,8)	NEMA 5-15P	
CT4-208800		208			NEMA 6-20P	
CT4-220800		220			R.-U	
CT4-240800		240			Schuko	
CT4-23080003		220-240				
CT4-23080002						
CT4H-120300	JT2H	120	300	Réglable 1½ - 3 (3,8 - 7,6)	NEMA 5-15P	
CT4H-208550		208			NEMA 6-20P	
CT4H-220550		220			R.-U	
CT4H-240550		240			Schuko	
CT4H-23055003		220-240				
CT4H-23055002						
CT4-2081000	JT3	208	1000	1½ (3,8)	NEMA 6-30P	
CT4-2201000		220			Extrémités dénudées	
CT4-2401000		240				
CT4-2301000		220-240				
CT4H-208950	JT3H	208	950	Réglable 1½ - 3 (3,8 - 7,6)	NEMA 6-30P	
CT4H-220950		220			Extrémités dénudées	
CT4H-240950		240				
CT4H-230950		220-240				

\* Le nombre de tranches par heure est fonction de la vitesse maximum du convoyeur. La vitesse du convoyeur détermine le temps passé à griller et affecte la couleur et la texture du pain grillé. Les résultats peuvent varier selon le type de pain, et la couleur et la texture préférées.

### EXIGENCES EN MATIÈRE DE DÉGAGEMENT ET DE CONDITIONS AMBIANTES

Ne placez pas l'appareil sur des surfaces ou près de murs, cloisons ou mobilier de cuisine sauf s'ils sont faits de matériaux non combustibles ou recouverts de matériau réfractaire non combustible. Les grille-pains ne doivent pas être utilisés près ou en dessous de rideaux et d'autres matériaux combustibles.

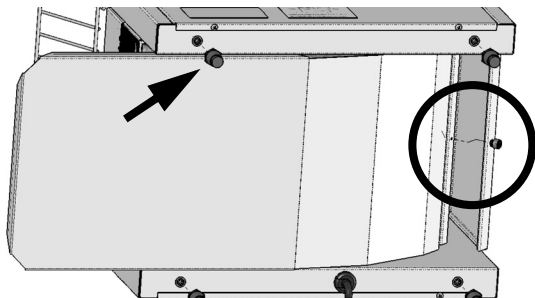
Ne placez pas le grille-pain à côté d'un appareil produisant de chaleur.

## INSTALLATION

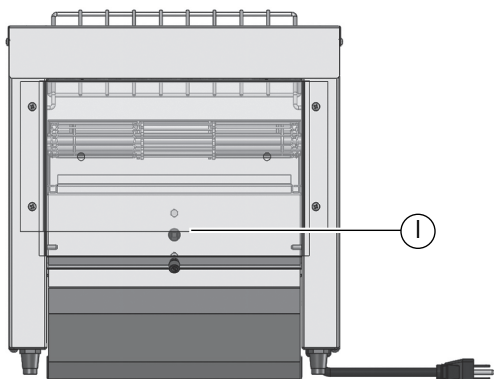
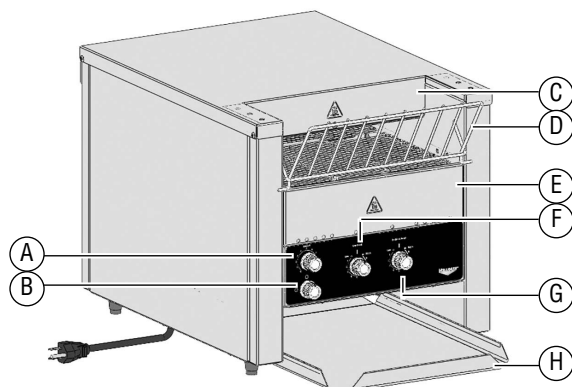
1. Placez le grille-pain sur une surface dure, stable et plane.
2. Tournez le grille-pain sur le côté, le dessous vers vous.
3. Installez les pieds.

**AVIS :** Les pieds doivent être installés. Sans les pieds, la circulation de l'air sera entravée, ce qui causera la surchauffe du grille-pain.

4. Installez le plateau de récupération en plaçant son bord arrière sur le rebord à l'arrière du grille-pain. Alignez le trou du plateau sur la vis. Serrez la vis pour fixer le plateau de récupération.



## CARACTÉRISTIQUES



Vue arrière

**A** Bouton de réglage de vitesse du convoyeur **B** Bouton d'alimentation

| Pleine puissance - chaleur maximale

○ Arrêt

○ Veille - peut réduire la consommation d'électricité de 75 %.

**C** Écran thermique - Réglable sur les grille-pains à ouverture large

**D** Rampe d'alimentation

**E** Plateau ramasse-miettes

**F** Thermostat du haut

**G** Thermostat du bas

**H** Plateau de récupération

**I** Bouton de réarmement

(Pour référence seulement. L'accès s'effectue par l'avant des grille-pains. Voir page 3.)

## AVANT LA PREMIÈRE UTILISATION

1. Nettoyez le grille-pain. Procédez au « nettoyage quotidien » à la page 3.

## MODE D'EMPLOI



### ATTENTION

#### Risque de brûlure

Ne touchez pas l'appareil en cours de chauffage ou de fonctionnement. Les surfaces chaudes peuvent brûler la peau.

**AVIS :** Le plateau ramasse-miettes doit être installé dans le grille-pain en cours de fonctionnement. Respectez cette consigne sous peine de surchauffe du grille-pain.

## Réglage de l'écran thermique (modèles JT2H et JT3H)

Trop d'espace au-dessus du produit créera une perte de chaleur et peut réduire la performance.

1. Une fois que l'appareil a refroidi, utilisez un tournevis pour desserrer la vis sur l'écran thermique.
2. Saisissez l'écran et remontez ou abaissez-le pour ajuster l'ouverture de manière à ce que les produits les plus épais puissent passer. Resserrez la vis.

## Préchauffage

Branchez le grille-pain sur une prise de terre qui correspond à la plaque signalétique sur le côté du grille-pain.

**AVIS :** L'utilisation d'une autre tension que celle indiquée sur la plaque signalétique endommagera l'appareil. Une tension incorrecte, la modification du cordon d'alimentation ou les composants électriques risquent d'endommager l'appareil et d'annuler la garantie.

1. Tournez le bouton d'alimentation à la position pleine puissance (I).
2. Tournez le bouton de réglage de vitesse du convoyeur à 7.
3. Tournez les thermostats du haut et du bas à la position maximale.
4. Attendez 5 minutes que le grille-pain préchauffe.

## Test

1. Ajustez les réglages pour le produit à griller.

### Conseils

Produit	Suggestions
Bagels, pain de blé ou seigle ou produits très humides.	Utilisez une vitesse de convoyeur basse.
Produit beurré ou enrobé, comme les pâtisseries	Déconseillé.
Congelé	Doit être dégelé avant de griller.

2. Vérifiez les réglages en plaçant un échantillon de produit à faire griller sur la rampe d'alimentation. Placez les bagels ou petits pains sur la rampe d'alimentation la face coupée vers le haut.

### Pour faire grille d'un seul côté

Tournez le thermostat du HAUT au réglage souhaité. Le thermostat du BAS est à la position Arrêt.

## MODE D'EMPLOI (SUITE)

### Pour faire griller du pain

- Réglez les thermostats du haut et du bas et le convoyeur si nécessaire pour obtenir une coloration uniforme. Attendez que le grille-pain s'adapte aux nouveaux réglages de température avant de mettre du pain ou des sandwiches sur le convoyeur.
- Pour des résultats optimaux, ne surchargez pas le grille-pain. Attendez quelques secondes avant de mettre une deuxième rangée de tranches de pain ou sandwiches dans le grille-pain.

### Si un produit se coince

- Tournez le bouton d'alimentation sur Arrêt (O) et débranchez l'appareil.
- Laissez refroidir complètement l'appareil. Utilisez une pince pour enlever le produit coincé. Veillez à ne pas cogner les éléments chauffants au-dessus et au-dessous du convoyeur.

## NETTOYAGE



### AVERTISSEMENT

#### Risque d'électrocution

Ne vaporisez pas d'eau ou de produits nettoyants. Du liquide risque d'entrer en contact avec les composants électriques et de causer un court-circuit ou une décharge électrique.



### ATTENTION

#### Risque de brûlure

Laissez refroidir l'appareil avant de le manipuler ou de le laver.

**AVIS :** N'utilisez pas de produits ou nettoyants abrasifs, ni de tampons récurants pour nettoyer l'extérieur de l'appareil sous peine d'endommager le fini.

**AVIS :** Les éléments chauffants n'ont pas besoin d'être nettoyés. Les miettes et particules alimentaires finiront par carboniser. Il est possible que les éléments chauffants finissent par avoir un aspect crayeux, mais ceci sera sans incidence sur la performance de l'appareil.

### Nettoyage quotidien

- Avant d'éteindre l'appareil et avec le convoyeur en marche, observer les particules alimentaires sur le tapis roulant.
- Lorsqu'elles atteignent l'avant du convoyeur, tournez le bouton d'alimentation à la position Arrêt.
- Attendez que le ventilateur arrête de tourner. Débranchez l'appareil.
- Laissez refroidir complètement l'appareil.
- Une fois l'appareil froid, utilisez une brosse ou un tampon récurant pour enlever les particules alimentaires.
- Pour nettoyer l'extérieur, utilisez un chiffon doux trempé dans de l'eau savonneuse chaude à passer sur les surfaces extérieures et l'admission d'air du ventilateur sous l'appareil. Si nécessaire, essuyez la zone d'admission d'air du ventilateur avec un dégraissant pour empêcher toute accumulation à long terme.
- Videz et nettoyez le(s) plateau(x) ramasse-miettes.

## ENTRETIEN PRÉVENTIF

Contactez un agent de maintenance agréé pour un nettoyage professionnel des composants.

## DÉPANNAGE

Problème	Cause possible	Mesure corrective
Le grille-pain ne chauffe pas et le tapis roulant ne bouge pas.	Le grille-pain n'est pas branché.	Branchez le grille-pain.
	Le réglage du bouton d'alimentation est incorrect.	Tournez le bouton d'alimentation à la position Marche (I).
	Le disjoncteur s'est peut-être déclenché.	<ol style="list-style-type: none"> <li>Inspectez le disjoncteur pour voir s'il ne s'est pas déclenché.</li> <li>Réarmez le disjoncteur.</li> <li>Si le disjoncteur ne s'est pas déclenché, inspectez le compartiment de cuisson pour voir si les tubes des éléments chauffants ne sont pas cassés.</li> <li>Si les tubes sont cassés, contactez le support technique Vollrath.</li> </ol>
	Le bouton de réarmement s'est peut-être déclenché.	<p>Regardez sous le grille-pain pour voir si un objet n'empêche pas les pales du ventilateur de tourner.</p> <ol style="list-style-type: none"> <li>Tournez les thermostats à la position Arrêt.</li> <li>Tournez le bouton d'alimentation à la position Arrêt (O).</li> <li>Débranchez le grille-pain.</li> <li>Attendez 30 minutes que le grille-pain refroidisse.</li> <li>Enlevez l'objet.</li> <li>Branchez le grille-pain.</li> <li>Tournez le bouton d'alimentation à la position Marche (I).</li> <li>Appuyez sur le bouton de réarmement. Vous devriez entendre et sentir le réarmement. Le grille-pain devrait commencer à fonctionner.</li> </ol>



9. Si le problème persiste, contactez le support technique Vollrath.

Problème	Cause possible	Mesure corrective
Le grille-pain ne chauffe pas et le tapis roulant ne bouge pas.	Le bouton de réarmement s'est peut-être déclenché.	Inspectez les pales du ventilateur pour voir si elles ne sont pas sales. 1. Tournez les thermostats à la position Arrêt. 2. Tournez le bouton d'alimentation à la position Arrêt (0). 3. Débranchez le grille-pain. 4. Attendez 30 minutes que le grille-pain refroidisse. 5. Nettoyez les pales du ventilateur. 6. Branchez le grille-pain. 7. Tournez le bouton d'alimentation à la position Marche (I). 8. Appuyez sur le bouton de réarmement. 9. Si le problème persiste, contactez le support technique Vollrath.
Le grille-pain chauffe, mais le tapis roulant ne bouge pas.	Il y a peut-être un problème au niveau du moteur ou de la commande de réglage de vitesse, ou de la chaîne de transmission.	Contactez le support technique Vollrath.
Les tubes chauffants supérieurs ou inférieurs ne chauffent pas.	Il est possible qu'un ou plusieurs tubes chauffants aient grillé.	Contactez le support technique Vollrath.
	Le thermostat est peut-être cassé.	
Le grille-pain surchauffe régulièrement.	Le plateau ramasse-miettes n'est peut-être pas installé.	Vérifiez si le plateau ramasse-miettes est installé.
	Le ventilateur est peut-être sale.	Vérifiez si les pales du ventilateur sont propres. Reportez-vous aux instructions ci-dessus pour inspecter et nettoyer les pales du ventilateur.
	Il y a peut-être un problème de ventilateur.	Préchauffez le grille-pain pendant 10 minutes. Si le ventilateur ne tourne pas, contactez le support technique Vollrath.
Le ventilateur ne marche pas.	Il y a peut-être un problème au niveau du ventilateur ou de son interrupteur.	Préchauffez le grille-pain pendant 10 minutes. Si le ventilateur ne tourne pas, contactez le support technique Vollrath.
Le grille-pain est éteint et le ventilateur tourne.	Fonctionnement normal. Le ventilateur se met en marche pour refroidir le grille-pain.	–

## SERVICE ET RÉPARATION

Lorsque le produit est sous garantie, sa réparation est possible en retour atelier. Pour commencer la procédure :

- Contactez le support technique Vollrath au 1-800-309-2250. Soyez prêt à fournir les numéros de référence, modèle et série. Ces informations se trouvent sur la plaque signalétique sur le côté ou à l'arrière de l'appareil. Fournissez également une preuve d'achat indiquant la date d'achat de l'appareil.
- Le support technique vous aidera à dépanner le problème au téléphone.
- Si l'agent détermine que le problème exige l'intervention d'un professionnel, il vous aidera à localiser un centre de réparation agréé.
- Contactez le centre de réparation agréé et transportez-y l'appareil. Vollrath couvrira le coût de la réparation et/ou du remplacement des pièces défectueuses durant la période de garantie. Les frais de transport de l'appareil à destination et au départ du centre de réparation ne sont pas couverts par la garantie.

## GARANTIE DE LA VOLLRATH CO. L.L.C.

La Vollrath Company LLC garantit que les produits qu'elle fabrique et distribue seront dépourvus de vices de matériaux et de malfaçons, comme indiqué dans notre déclaration complète de garantie. Dans tous les cas, la garantie entre en vigueur à la date d'achat par l'utilisateur initial indiquée sur le reçu. Tous les dommages subis lors d'une utilisation impropre ou abusive, ou résultant d'une modification ou d'un emballage inadéquat lors d'un renvoi du produit pour une réparation sous garantie ne seront pas couverts par la garantie.

La garantie ne s'applique pas aux produits achetés pour un usage personnel, familial ou ménager, et la Vollrath Company LLC ne propose aucune garantie écrite aux acheteurs pour de telles utilisations.

Pièces sous garantie : la période de garantie est de 2 ans pour les pièces et de 1 an pour la main-d'œuvre.

Tubes chauffants : la période de garantie est de 1 an, y compris la main-d'œuvre. Les dommages subis par le verre des tubes chauffants ne sont pas couverts par cette garantie.

Pour des informations complètes sur la garantie, l'enregistrement des produits et l'annonce de nouveaux produits, consultez [www.vollrath.com](http://www.vollrath.com).

The Vollrath Company, L.L.C. Headquarters  
1236 North 18th Street  
Sheboygan, Wisconsin  
53081-3201 USA  
Main Tel: 800-624-2051 or 920-457-4851  
Main Fax: 800-752-5620 or 920-459-6573  
Canada Customer Service: 800-695-8560  
Tech Services: [techservices@vollrathco.com](mailto:techservices@vollrathco.com)  
[www.vollrath.com](http://www.vollrath.com)

Pujadas  
Ctra. de Castanyet,  
132 P.O. Box 121  
17430 Santa Coloma de Farners  
(Girona) – Spain  
Tel. +34 972 84 32 01  
[info@pujadas.es](mailto:info@pujadas.es)

Vollrath of China  
Vollrath Shanghai Trading Limited  
Room 201, Building A  
Xin Yi Plaza  
1618 Yi Shan Road  
Shanghai, 201103  
China, P.R.C.  
Tel: +86-21-5058-9580

Vollrath de Mexico S. de R.L. de C.V.  
Periferico Sur No. 7980 Edificio 4-E  
Col. Santa Maria Tequepexpan  
45600 Tlaquepaque, Jalisco | Mexico  
Tel: (52) 333-133-6767  
Tel: (52) 333-133-6769  
Fax: (52) 333-133-6768





# Manual para operadores

## Tostadores con correa transportadora, 350 a 1000 rebanadas por hora\*

Modelos JT2, JT2H, JT3, JT3H

Gracias por comprar este equipo Vollrath. Antes de usar el equipo, lea y familiarícese con las siguientes instrucciones de operación y seguridad. CONSERVE ESTAS INSTRUCCIONES COMO REFERENCIA PARA EL FUTURO. Conserve la caja y embalado originales. Deberá utilizarlos para devolver el equipo en caso de que requiera reparaciones.



### PRECAUCIONES DE SEGURIDAD

Para garantizar una operación segura, lea las siguientes afirmaciones y comprenda su significado. Este manual contiene precauciones de seguridad que se explican a continuación. Léelas atentamente.

#### **ADVERTENCIA**

Advertencia se usa para indicar la presencia de un peligro que provocará o puede provocar lesiones graves o letales.

#### **PRECAUCIÓN**

Precaución se usa para indicar la presencia de un peligro que provocará o puede provocar lesiones personales o daños materiales leves si se ignora el aviso.

**AVISO:** Aviso se usa para señalar información importante no relacionada con peligros.

#### **Para disminuir el riesgo de lesiones personales o daños al equipo**

- Enchúfelo solo en tomacorrientes con puesta a tierra cuyo voltaje nominal sea el indicado en la placa identificatoria.
- Use el equipo en posición plana y nivelada.
- Desenchúfelo y deje que se enfríe antes de limpiarlo o trasladarlo, pues permanece caliente tras apagarse.
- No lo toque durante el funcionamiento.
- Desenchúfelo cuando no esté en uso.
- Mantenga el equipo y el cable eléctrico lejos de llamas expuestas, quemadores eléctricos o calor excesivo.
- No lo deje funcionando solo.
- Supervise de cerca los equipos en áreas públicas y/o cerca de niños.
- No opere el equipo si se ha dañado o si funciona defectuosamente de algún modo.

### FUNCIÓN Y PROPÓSITO

Este equipo está diseñado para tostar productos de panadería. Está destinado para usarse únicamente en operaciones comerciales de servicio de comidas. No está diseñado para uso doméstico, industrial ni de laboratorio. No se recomienda usar los tostadores modelos JT2H y JT3H para tostar pan de tamaño estándar.

Núm.art.	Modelo	Voltaje	Rebanadas por hora* (hasta)	Abertura del producto	Enchufe
CT4-120450	JT2	120	800	1½ (3,8)	NEMA 5-15P
CT4-208800		208			NEMA 6-20P
CT4-220800		220			Reino Unido
CT4-240800		240			
CT4-23080003		220-240			Schuko
CT4-23080002					
CT4H-120300	JT2H	120	550	Ajustable 1½ - 3 (3,8 - 7,6)	NEMA 5-15P
CT4H-208550		208			NEMA 6-20P
CT4H-220550		220			Reino Unido
CT4H-240550		240			
CT4H-23055003		220-240			Schuko
CT4H-23055002					
CT4-2081000	JT3	208	1000	1½ (3,8)	NEMA 6-30P
CT4-2201000		220			Extremos descubiertos
CT4-2401000		240			
CT4-2301000		220-240			
CT4H-208950	JT3H	208	950	Ajustable 1½ - 3 (3,8 - 7,6)	NEMA 6-30P
CT4H-220950		220			Extremos descubiertos
CT4H-240950		240			
CT4H-230950		220-240			

\* Las rebanadas por hora se basan en la velocidad máxima de la correa transportadora. La velocidad de la correa transportadora determina el tiempo de tostado y afecta el color y la textura de la tostada. Los resultados pueden variar según el tipo de pan, el color y la preferencia de textura.

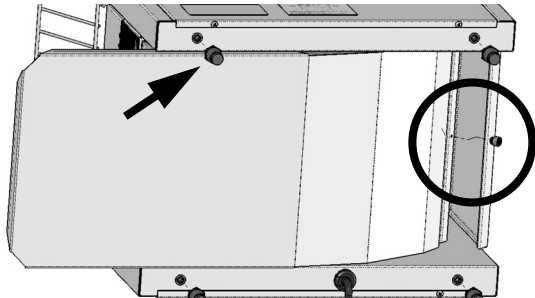
### REQUISITOS AMBIENTALES Y DISTANCIADO

A menos que estén hechos de material incombustible o revestidos con material aislante térmico no combustible, no coloque el tostador en superficies o cerca de paredes, tabiques o muebles de cocina. Los tostadores no deben usarse cerca ni debajo de cortinas y otros materiales combustibles.

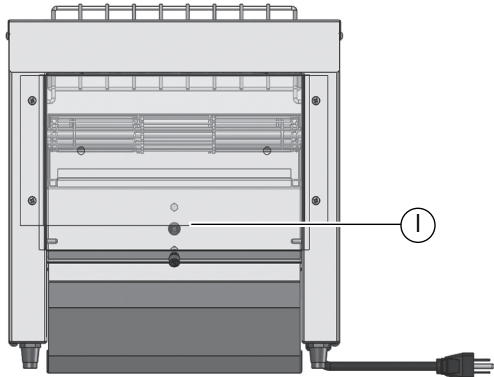
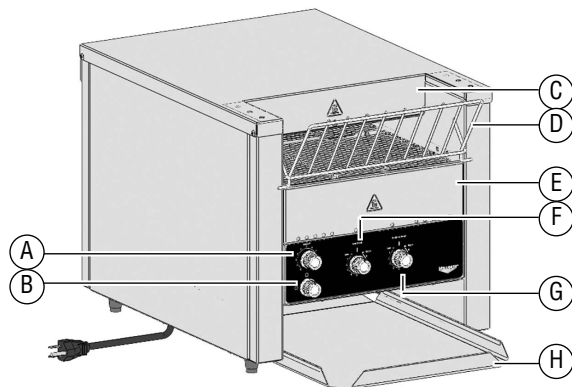
No coloque el tostador junto a un aparato que produzca calor.

## PREPARACIÓN

1. Coloque el tostador en una superficie dura, plana y estable.
  2. Ponga el tostador de lado con la parte inferior hacia usted.
  3. Instale las patas.
- AVISO:** Las patas deben estar instaladas, de lo contrario se restringirá el flujo de aire y el tostador se sobrecalentará.
4. Instale la fuente recolectora colocando el borde posterior de la fuente en el reborde de la parte posterior del tostador. Alinee el orificio en la fuente con el tornillo. Apriete el tornillo para afianzar la fuente recolectora.



## CARACTERÍSTICAS



Vista posterior

- A** Perilla controladora de velocidad de la correa transportadora
- B** Perilla de encendido
- | Potencia máxima - calor máximo
  - Apagado
  - ⦿ Espera - reduce el consumo eléctrico hasta en un 75%.
- C** Protección contra calor - Ajustable en los tostadores de gran espaciado
- D** Rampa de alimentación
- E** Bandeja para migas
- F** Perilla superior controladora de calor
- G** Perilla inferior controladora de calor
- H** Fuente recolectora
- I** Botón de reinicio (referencia solamente. Se accede por la parte delantera de los tostadores. Consulte pág. 3).

## ANTES DEL PRIMER USO

1. Limpie el tostador. See "Limpieza diaria" on page 3.

## FUNCIONAMIENTO



**PRECAUCIÓN**

**Peligro de quemaduras**

No toque el equipo mientras este esté calentando o funcionando. Las superficies calientes pueden quemar la piel.

**AVISO:** La bandeja para migas debe instalarse en el tostador durante el funcionamiento, de lo contrario el tostador se sobrecalentará.

## Ajuste la protección contra calor (modelos JT2H y JT3H)

El exceso de espacio sobre el producto creará pérdida de calor y puede reducir el rendimiento.

1. Cuando el equipo esté frío al tacto, use un destornillador para aflojar el tornillo en la protección contra calor.
2. Sujete la protección y tírela hacia arriba o hacia abajo a fin de ajustar la abertura para que los productos más altos puedan pasar. Vuelva a apretar el tornillo.

## Precalentar

Enchufe el tostador en un tomacorriente puesto a tierra cuyo voltaje nominal corresponda al indicado en el costado del tostador.

**AVISO:** Usar un voltaje distinto del indicado en la placa identificatoria dañará la unidad. Usar un voltaje incorrecto, o modificar el cable eléctrico o los componentes electrónicos puede dañar la unidad e invalidará la garantía.

1. Gire la perilla de encendido a la posición de máxima potencia (I).
2. Fije la perilla controladora de velocidad de la correa transportadora en 7.
3. Gire hacia arriba las perillas controladoras de calor superior e inferior.
4. Espere 5 minutos a que el tostador se precaliente.

## Prueba

1. Ajuste la configuración para el producto que va a tostar.

### Consejos

Producto	Sugerencias
Rosquillas, pan de trigo o centeno o productos con alto contenido de humedad.	Use una velocidad de correa transportadora más lenta.
Con mantequilla o recubiertos, tales como pasteles	No se recomienda.
Congelado	Se debe descongelar antes de tostarlo.

2. Pruebe los ajustes colocando una muestra de producto en la rampa de alimentación. Coloque rosquillas o bollos en la rampa de alimentación con el lado cortado hacia arriba.

### Para tostado por un solo lado

Control de calor SUPERIOR al ajuste deseado.  
Control de calor INFERIOR a la posición de apagado (OFF).

## FUNCIONAMIENTO (CONTINUACIÓN)

### Tueste el pan

1. Ajuste las configuraciones de control de calor superior e inferior y la correa transportadora según sea necesario para obtener un tostado uniforme. Deje que el tostador se ajuste a la nueva configuración de calor antes de colocar pan o sándwiches en la correa transportadora.
2. Para obtener el mejor rendimiento no sobrecargue el tostador. Espere unos segundos antes de cargar una segunda hilera de pan o sándwiches en el tostador.

### Si un producto se atasca

1. Gire la perilla de encendido a la posición de apagado (O) y desenchufe el equipo.
2. Deje que se enfríe totalmente. Use tenazas para retirar el producto. Tenga cuidado de no golpear los elementos calefactores dispuestos arriba y abajo de la correa transportadora.

## LIMPIEZA



### ADVERTENCIA

#### Peligro de descarga eléctrica

No lo rocíe con agua ni productos de limpieza. El líquido podría hacer contacto con los componentes eléctricos y causar un cortocircuito o una descarga eléctrica.



### PRECAUCIÓN

#### Peligro de quemaduras

Deje que el equipo se enfríe antes de moverlo o limpiarlo.

**AVISO:** No emplee materiales abrasivos, limpiadores que rayen ni esponjas metálicas para asear el exterior del equipo, ya que pueden dañar el acabado.

**AVISO:** No es necesario limpiar los elementos calefactores. Las migas y los restos de comida se quemarán. Con el tiempo, los elementos calefactores pueden tomar un aspecto blanquecino, pero ello no afectará el rendimiento.


### Limpieza diaria

1. Antes de apagar el equipo y con la correa transportadora girando, observe la correa por si hay restos de alimentos.
2. Cuando los residuos lleguen a la parte delantera del transportador, gire la perilla de encendido a la posición de apagado.
3. Espere que el ventilador deje de funcionar. Desenchufe el equipo.
4. Deje que se enfríe totalmente.
5. Una vez que esté frío, use un cepillo o un estropajo para eliminar los restos de alimentos.
6. Para limpiar el exterior, use un paño suave sumergido en agua jabonosa caliente a fin de limpiar el exterior y la entrada de aire del ventilador debajo del equipo. Si es necesario, limpie con desengrasante el área de la entrada del ventilador para evitar acumulaciones a largo plazo.
7. Vacíe y limpie la o las bandejas para migas.

## MANTENIMIENTO PREVENTIVO

Póngase en contacto con un agente de servicio autorizado para que realicen una limpieza profesional a los componentes.

## SOLUCIÓN DE PROBLEMAS

Problema	Podría deberse a	Curso de acción
El tostador no se calienta y la correa transportadora no se mueve.	El tostador no está enchufado.	Enchúfelo.
	Ajuste incorrecto de la perilla encendido. Es posible que el interruptor de pared se haya disyuntado.	Gire la perilla a la posición de encendido (I). 1. Inspeccione si el interruptor se disyuntó. 2. Reinicielo. 3. Si el interruptor no se disyuntó, inspeccione la cámara de tostado por si hay tubos calefactores rotos. 4. Si ese es el caso, comuníquese con los Servicios de asistencia técnica de Vollrath
	Es posible que el reinicio se haya disyuntado.	Mire debajo del tostador para ver si hay un objeto impidiendo el giro de las aspas del ventilador. 1. Gire las perillas controladoras de calor a la posición de apagado. 2. Gire la perilla de encendido a la posición de apagado (O). 3. Desenchufe el tostador. 4. Espere 30 minutos a que el tostador se enfríe. 5. Retire el objeto. 6. Enchufe el tostador. 7. Gire la perilla de encendido a la posición de encendido (I). 8. Pulse el botón de reinicio. Debe escucharse y sentirse el botón de reinicio. El tostador debe comenzar a funcionar.
		
		9. Si el problema persiste, comuníquese con los Servicios de asistencia técnica de Vollrath.

Problema	Podría deberse a	Curso de acción
El tostador no se calienta y la correa transportadora no se mueve.	Es posible que el reinicio se haya disyuntado.	Inspeccione las aspas del ventilador para ver si están sucias. 1. Gire las perillas controladoras de calor a la posición de apagado. 2. Gire la perilla de encendido a la posición de apagado (O). 3. Desenchufe el tostador. 4. Espere 30 minutos a que el tostador se enfríe. 5. Limpie las aspas del ventilador. 6. Enchufe el tostador. 7. Gire la perilla de encendido a la posición de encendido (I). 8. Pulse el botón de reinicio. 9. Si el problema persiste, comuníquese con los Servicios de asistencia técnica de Vollrath.
El tostador se calienta y la correa transportadora no se mueve.	Puede haber un problema con el motor/control de velocidad o la cadena de transmisión.	Comuníquese con los Servicios de asistencia técnica de Vollrath.
Los tubos de calor superiores o inferiores no calientan.	Puede que uno o más elementos se hayan quemado. Puede que el interruptor de control de calor esté roto.	Comuníquese con los Servicios de asistencia técnica de Vollrath.
El tostador se recalienta repetidamente.	Puede que la bandeja para migas no esté instalada.	Verifique si se instaló la bandeja.
	Puede que el ventilador esté sucio.	Verifique que las aspas del ventilador estén limpias. Consulte las instrucciones anteriores para inspeccionar y limpiar las aspas del ventilador.
	Puede haber un problema con el ventilador.	Haga funcionar el tostador durante 10 minutos. Si el ventilador no funciona, comuníquese con los Servicios de asistencia técnica de Vollrath.
El ventilador no funciona.	Puede haber un problema con el ventilador o su interruptor.	Haga funcionar el tostador durante 10 minutos. Si el ventilador no funciona, comuníquese con los Servicios de asistencia técnica de Vollrath.
El tostador está apagado y el ventilador está funcionando.	Funcionamiento normal. El ventilador se enciende según sea necesario para enfriar el tostador.	—

## SERVICIO Y REPARACIÓN

Cuando está en garantía, la reparación de este producto está disponible a través del servicio en tienda. Para iniciar el proceso:

1. Comuníquese con los Servicios de asistencia técnica de Vollrath llamando al 1-800-309-2250. Esté preparado con el número de artículo, modelo y serie. Puede encontrar esta información en la placa identificatoria ubicada en el costado o en la parte posterior del equipo. También proporcione un comprobante de compra que indique la fecha en que se compró el equipo.
2. Un representante de servicio técnico le ayudará a solucionar el problema por teléfono.
3. Si el representante determina que el problema requiere servicio profesional, le ayudará a localizar un centro de servicio autorizado.
4. Póngase en contacto con el centro de servicio autorizado y lleve el equipo a dicho centro. Vollrath cubrirá el costo de la reparación y/o reemplazo de las piezas defectuosas dentro del período de garantía del equipo.

## CLÁUSULA DE GARANTÍA DE THE VOLLRATH CO. L.L.C.

The Vollrath Company LLC garantiza los productos que fabrica o distribuye contra defectos en materiales y fabricación, según se especifica en nuestra cláusula de garantía completa. En todos los casos, la garantía rige desde la fecha de compra original del usuario final que aparece en el recibo. La garantía no cubrirá ningún daño que resulte del uso indebido, abuso, modificación o daños causados por el embalado incorrecto durante la devolución para obtener servicio de reparación dentro del período de vigencia de la garantía.

La garantía no se aplica a los productos adquiridos para uso personal, familiar ni doméstico, y The Vollrath Company LLC no ofrece una garantía por escrito a los compradores para dichos usos.

Piezas en garantía: El período de garantía es de 2 años para las piezas, 1 año para la mano de obra.

Tubos del calentador: El período de garantía es de 1 año, incluida la mano de obra cuando se realiza en un centro de servicio autorizado. La garantía no cubre el daño al vidrio del tubo del calentador. El cliente es responsable del costo de transporte del producto al centro de servicio autorizado.

Para obtener información de garantía, inscripción de productos y anuncios de productos nuevos, visite [www.vollrath.com](http://www.vollrath.com).

The Vollrath Company, L.L.C. Headquarters  
1236 North 18th Street  
Sheboygan, Wisconsin  
53081-3201 USA  
Main Tel: 800-624-2051 or 920-457-4851  
Main Fax: 800-752-5620 or 920-459-6573  
Canada Customer Service: 800-695-8560  
Tech Services: [techservicereps@vollrathco.com](mailto:techservicereps@vollrathco.com)  
[www.vollrath.com](http://www.vollrath.com)

Pujadas  
Ctra. de Castanyet,  
132 P.O. Box 121  
17430 Santa Coloma de Farners  
(Girona) – Spain  
Tel. +34 972 84 32 01  
[info@pujadas.es](mailto:info@pujadas.es)

Vollrath of China  
Vollrath Shanghai Trading Limited  
Room 201, Building A  
Xin Yi Plaza  
1618 Yi Shan Road  
Shanghai, 201103  
China, P.R.C.  
Tel: +86-21-5058-9580

Vollrath de Mexico S. de R.L. de C.V.  
Periferico Sur No. 7980 Edificio 4-E  
Col. Santa Maria Tequepexpan  
45600 Tlaquepaque, Jalisco | Mexico  
Tel: (52) 333-133-6767  
Tel: (52) 333-133-6769  
Fax: (52) 333-133-6768