

C5 E-SERIES HEATED HOLDING & PROOFING CABINETS

TABLE OF CONTENTS

Safety Information & Symbols	2
Identifying your Cabinet.....	2
Installation and Setup	3
Operating Instructions	4
Care and Maintenance	4
Basic Troubleshooting	5
Reversing the Door.....	6
Service and Replacement Parts.....	7
Service and Replacement Parts (Circuits).....	9
Warranty	10



Metro Heated Cabinets are for
Hot Food Holding applications only.

DESCRIPTION

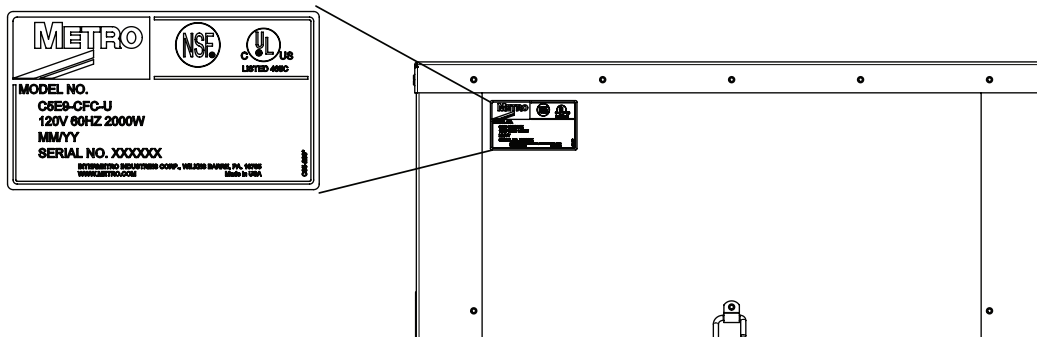
This manual covers cabinets with electrical ratings of: 120V, 60 Hz, 2000W and 220-240V, 50/60 Hz, 1681-2000W

SAFETY INFORMATION

- WARNING:** Follow all food safety guidelines. Pre-heat the cabinet to the desired temperature before placing cooked, hot food into the cabinet. This is not a re-thermalizing cabinet. Food must be at the appropriate temperature before being placed into this cabinet. Use a food probe to check internal food temperature — the cabinet temperature is not necessarily the internal food temperature.
- WARNING:** Only factory-approved service agents should attempt to service, repair or replace electrical components, wiring or power cord.
- WARNING:** Unplug the cabinet before cleaning or servicing. Do not wash the cabinet with a water jet or high pressure water.
- WARNING:** This cabinet is for hot food holding applications only.
- CAUTION:** Stainless steel water pan must be installed over moisture element inside cabinet during operation. Plastic drip pan can not be used inside cabinet and shall be installed outside the cabinet below the drip trough.
- CAUTION:** Do not spray or pour water into the module. To clean the cabinet, wipe with a damp cloth and dry with a towel. Use only cleaning agents approved for Aluminum.
- CAUTION:** Water dripping onto the floor from open doors can be a slip hazard.



IDENTIFYING YOUR CABINET



For future reference, note the serial and model number found on the data plate of the cabinet here:

Serial number _____

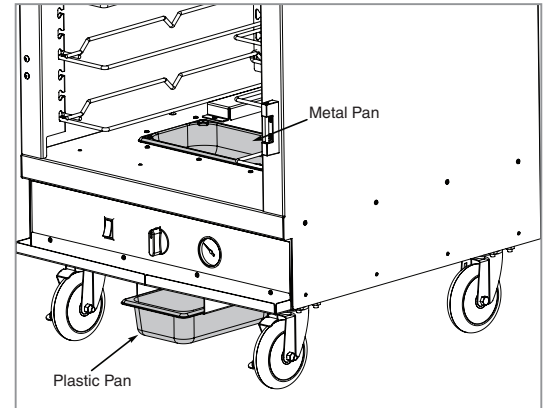
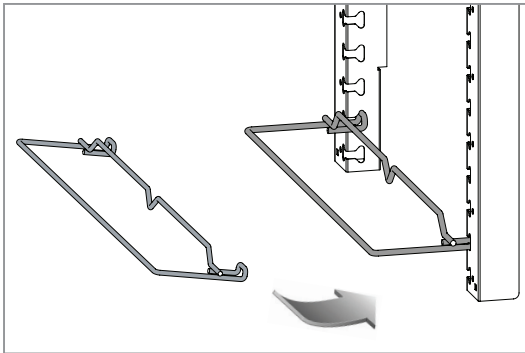
PART NUMBERING

C5E9-CFC-U (120V, 60Hz, 2000W)

C5E9-CXFC-U (220-240V, 50/60Hz, 1681-2000W)

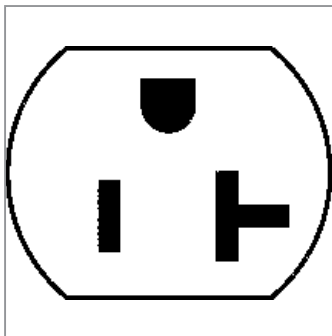
INSTALLATION AND SETUP

1. Check the packaging and cabinet for shipping damage after unloading the unit, and after removing all the packaging.
2. The receiver of this product is responsible for filing freight damage claims. This equipment must be opened immediately for inspection. All visible damage must be reported to the freight company within 48 hours and must be noted on freight bill at the time of delivery.
3. Concealed damage is your responsibility — you must advise the carrier of any loss or damage within 15 days after receipt of the cabinet. If there is damage, retain the original packaging for inspectors.
4. Any protective covers (plastic or paper sheet) must also be removed before turning the cabinet on.
5. Make sure the stainless steel water pan is installed inside the cabinet in the floor opening on top of the proofing element.
6. Install the plastic drip pan under the drip trough at the base of the cabinet.
7. Install the universal slides into the notches that are built into the walls as shown. The notches are spaced at 1.5" intervals, each cabinet is supplied with 12 sets of slides, if additional slides are desired please order part number C5-USLIDEPR-C (which is 1 additional set of slides).



8. Refer to the data plate located near the power cord for the electrical specifications of the cabinet as shown on Page 2.
 - With the POWER switch OFF, plug the cord into the appropriate rated, grounded receptacle.
 - Cabinets rated at 120 V must be plugged into a 20 amp 125 VAC receptacle.
 - Cabinets rated at 220-240 V must be plugged into a 15 amp 250 V receptacle.

20 Amp Outlet
For 120V Cabinets



250 VAC 15 Amp Outlet
(For All 220-240V Cabinets)

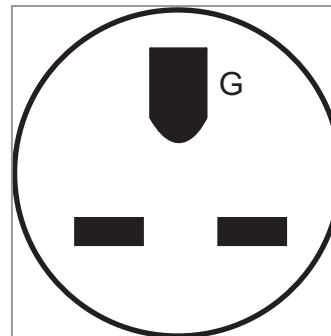
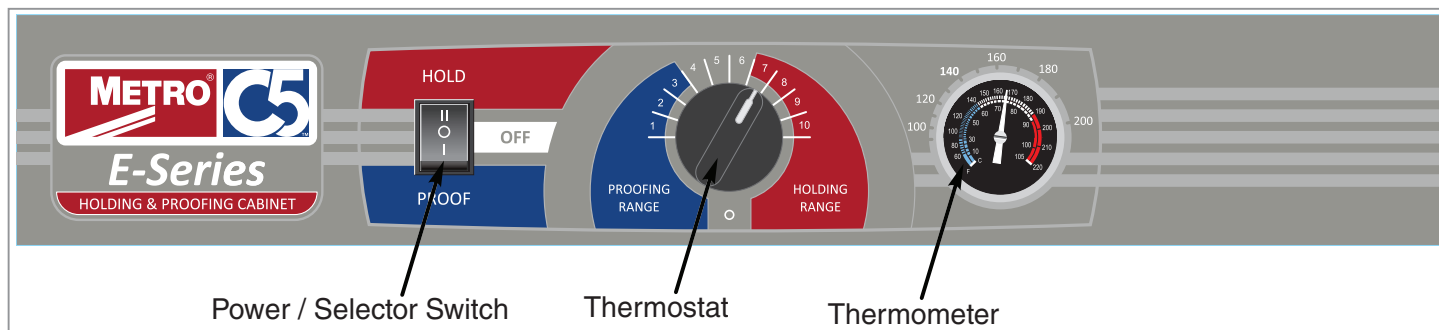


FIGURE 2:
WALL RECEPTACLES

WARNING: Do not allow combustible materials to be stored or accumulate on, under or next to the cabinet. Do not block any ventilation louvers or slots.

OPERATING INSTRUCTIONS



1. Fill the stainless pan with water if proofing, or if you desire a small amount of passive humidity while in heated holding mode.
2. Your cabinet has a 3 way power / selector switch that powers the cabinet on and off and also allows dual functionality. For heated holding mode set the switch to “hold” (up); for proofing mode set it to “proof” (down); to power the unit down set to “off” (middle).
3. **Heated holding mode** (selector switch set to “hold”)
 - Set thermostat at desired setting in red holding range, number 7 is approximately 150°F (66°C), 10 is approximately 190°F (88°C).
 - Monitor temperature read-out on thermometer and adjust thermostat to fine tune as necessary.
4. **Proofing mode** (selector switch set to “proof”)
 - Set thermostat at desired setting in blue proofing range. Approximate temperature yields are below, each yields a pre-determined humidity level.
 - Number 1 is approximately 85°F (30°C)
 - Number 2 is approximately 95°F (35°C)
 - Number 3 is approximately 105°F (41°C)
 - Monitor temperature read-out on thermometer and adjust thermostat to fine tune as necessary.

Note: When the switch is set to hold or proof, the fan is always energized. In order to power off the fan and the unit, set the switch to “off” (middle).

CARE AND MAINTENANCE

NOTICE

Before proceeding with any maintenance activity strictly follow “Safety Information” on page 2 of this manual.

Cleaning The Cabinet

WARNING: Unplug the cabinet before cleaning or servicing. Do not wash the cabinet with a water jet or high pressure water.

CAUTION: Do not spray or pour water into the control enclosure. To clean the cabinet, wipe with a damp cloth and dry with a towel. Use only cleaning agents approved for Aluminum.

CAUTION: Do not use cleaners with chlorides or phosphates as they may cause damage to Stainless Steel & Aluminum.

1. Make certain that the cabinet has cooled down before cleaning. Use cleaners in proper concentrations. Follow the manufacturer’s directions for the cleaning product used. After using any cleaning products, thoroughly rinse all surfaces to remove residue.
2. Use a damp cloth or sponge. Mild soap suitable for Aluminum is acceptable. Dry with a clean towel. Wipe up spills as soon as possible and regularly clean the cabinet to avoid staining and difficult to clean conditions.

Cabinet Maintenance — All Models

Keeping the casters free of dirt build-up will go a long way in prolonging their life. Additionally, periodic tightening of door latch and hinge screws may be required.

NOTICE

Regularly inspect the casters. Tighten loose fasteners and replace worn or damaged parts with new InterMetro approved parts. Replace worn or damaged casters immediately. Additionally, periodic tightening of door latch and hinge screws may be required.

BASIC TROUBLESHOOTING

WARNING: Only factory approved service agents must attempt to service, repair or replace electrical components, wiring or power cord.

1. Controls do not work (no heat being generated or fan does not run):

- Check that the cabinet is plugged-in.
- Check that the outlet has power.
- Check that the power switch is in the “On” position.
- Check the cabinet wiring from the power cord to the power switch and to the thermostat.
- For holding, make sure in HOLD mode. For proofing, make sure in PROOF mode.

2. Temperature too hot:

- a. During initial pre-heat, cabinet may overshoot set point.
- b. If displayed temperature exceeds 220°F (104°C):
 - Blower wiring is faulty or disconnected. Blower needs replacing.
 - The thermostat may have failed and the thermal cut-out device is controlling the temperature.
 - Thermal cut-out device may have failed.

3. Temperature too low:

- a. The cabinet may still be in pre-heat or recovering from the door being opened.
- b. Door is not closed or sealing properly.
- c. Worn out door gasket. Replace gasket.
- d. Blower is not circulating air:
 - Blower wiring is faulty or disconnected.

4. No heat generated

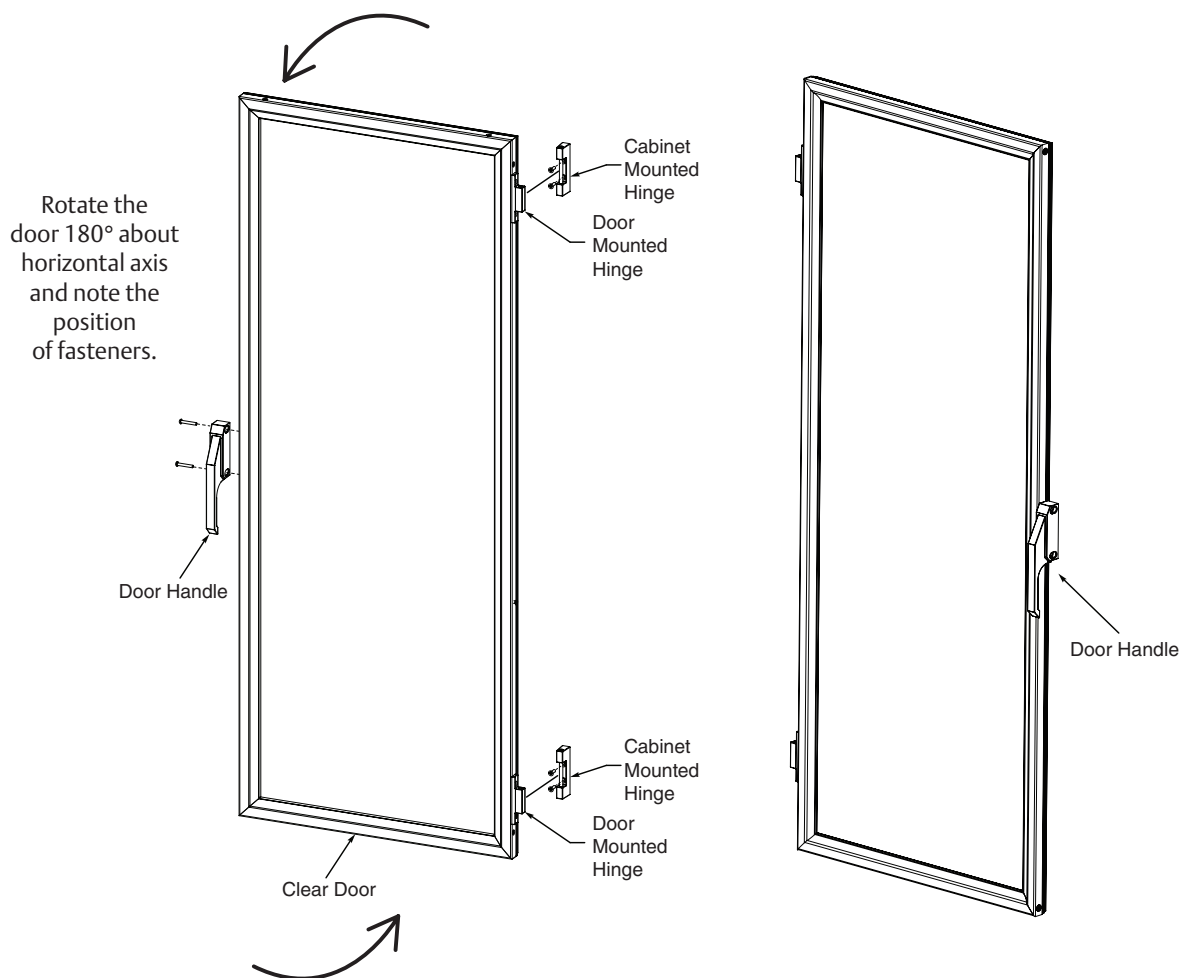
When power is on and in HOLD mode, amp draw for 120V units should be approximately 16 amps and 8 amps for 220-240V models. In PROOF mode, 120V amp draw should be approximately 6.0 amps and 3.0 amps for 220-240V models

- Air heater element may be faulty.
- The wiring to the air heater element may be faulty or disconnected.
- Thermostat may be faulty.
- The thermal cut out may be open or have a disconnected wire coming to it or going from it to the element.

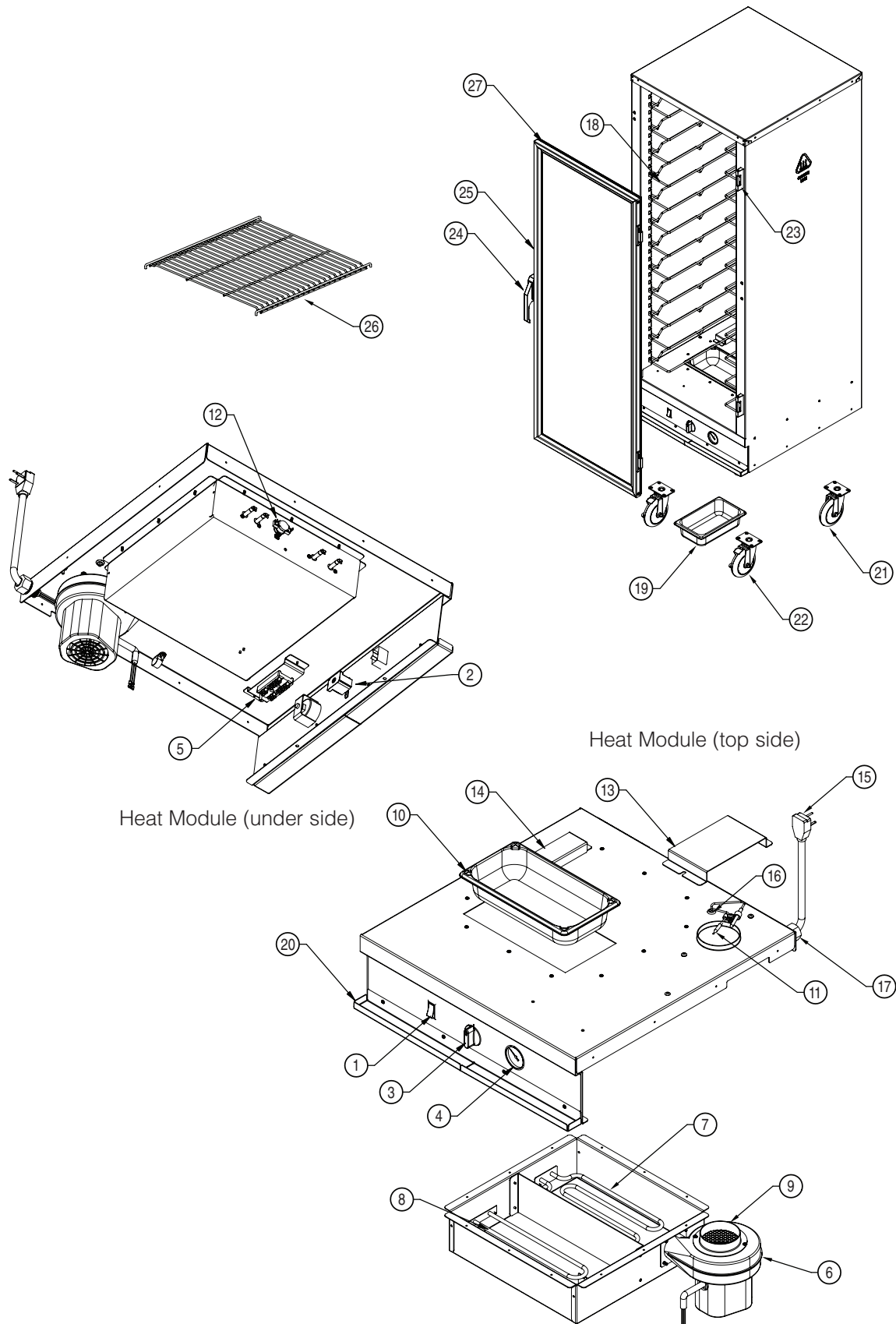
REVERSING THE DOOR

The door on your cabinet can be reversed to accommodate a right- or left-hand opening. The cabinet has been shipped with the hinges mounted on the right-hand side. To reverse, follow the instructions listed below:

1. With the door in the closed position, remove the hinge pin by driving it out using a hammer and a drive pin or small diameter screwdriver.
2. Once the pins are removed grasp the door firmly and pull the latch lever, this will release the door. Set the door aside being careful not to damage the gasket.
3. Remove the screws from the left side of the cabinet and set aside. Then remove the cabinet mounted part of the hinge and remount to the left side of the cabinet. Put the screws removed from the left side of the cabinet into the remaining holes on the right side of the cabinet. Tighten all screws before proceeding.
4. Relocate the latch plate(s) from the left side to the right by removing the two mounting screws. Tighten all screws before proceeding.
5. Rotate the door 180 degrees and align the door mounted hinge part with the cabinet mounted hinge part and tap the hinge pin into place so the top of the pin is flush with top of the cabinet mounted hinge part. Invert the door latch by removing the black plastic screw covers and remove the screws holding the latch in place.



C5 E-SERIES CABINET REPLACEMENT PARTS DIAGRAM



C5 E-SERIES SERVICE AND REPLACEMENT PARTS *

WARNING: Only factory approved service agents must attempt to service, repair or replace electrical components, wiring or power cord.

Module

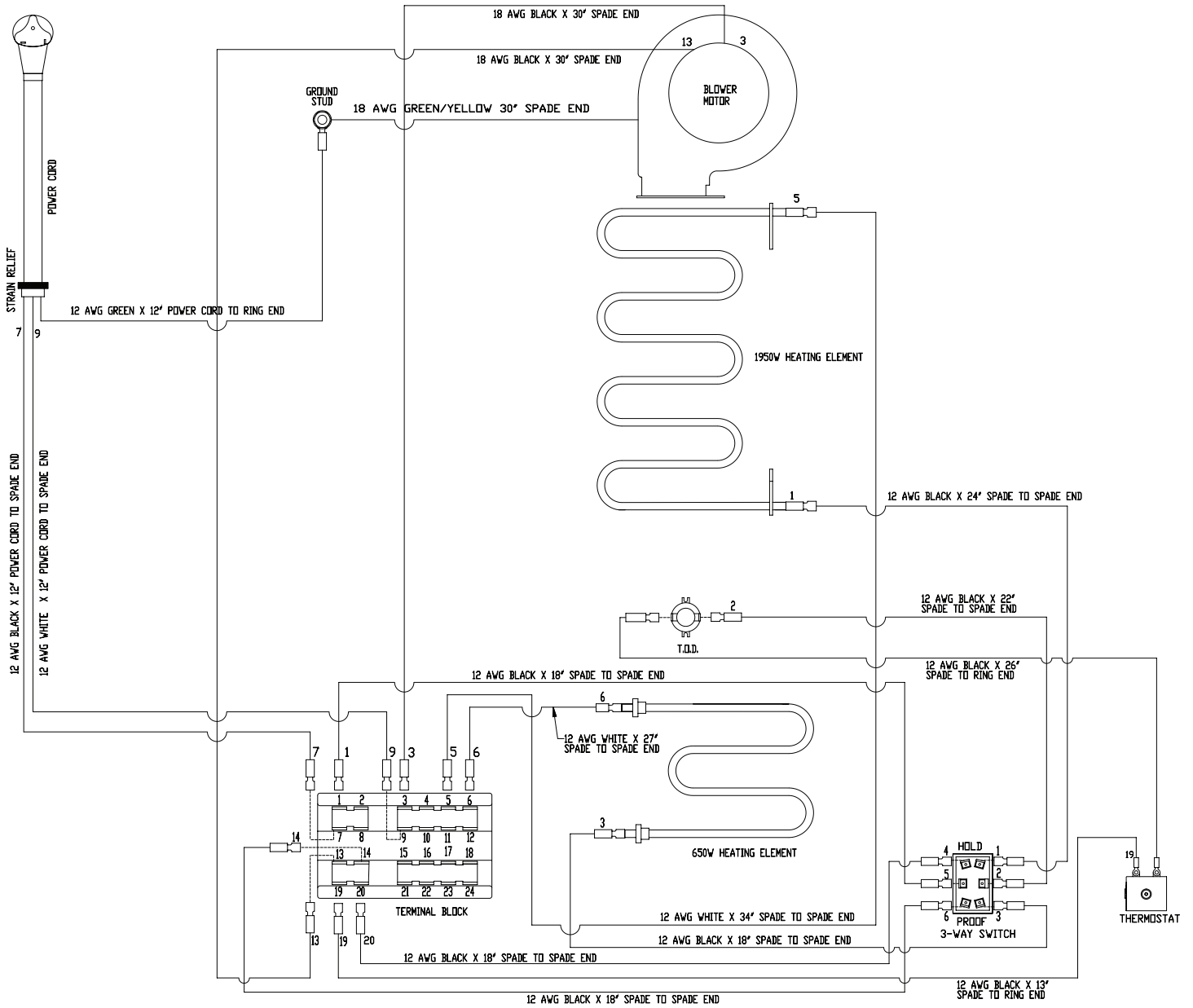
Item#	Replacement Part No.	Description
1	RPC13-1338	Power - selector switch
2	RPC13-721	Thermostat
3	RPC06-913	Thermostat Knob
4	RPC13-218	Thermometer
5	RPC13-096	Terminal Block
6	RPHM20-2103	Fan 120V
	RPHX20-2103	Fan 220-240V
7	RPC13-365	1950Watt Heating Element 120V
	RPC13-370	1950Watt Heating Element 220-240V
8	RPC13-367	675 Watt Heating Element 120V
	RPC13-369	675 Watt Heating Element 220-240V
9	RPC11-191	Fan intake Collar
10	RPC11-185	Stainless Steel Water Pan
11	RPC5-SCLP	Sensor and bulb Clamp Kit
12	RPC13-198	Thermal Cut-out
13	RPC5E-INTCVR	Air Intake Cover
14	RPC5E-EXHCVR	Air Exhaust cover
15	RPC5-RTANGLE-20	Power cord (120V)
	RPC5-STRPLG-240V	Power cord (220-240V)
16	RPC07-055	Rubber grommet
17	RP-STRNRLF	Strain Relief

CABINET BODY

Item#	Replacement Part No.	Description
18	C5-USLIDEPR-C	Universal wire slides (1 pair)
19	RPC06-179	Plastic Drip Pan
20	RPC5E-DRIP TROUGH	Drip Trough (includes screws)
21	B5DN	5" swivel Caster
22	B5DNB	5" Brake Caster
23	RPC14-119	Door Hinge (qty 1)
24	RPC14-118	Door Handle
25	RPC5E-DOOR	Door (does not include hardware or gasket)
26	RPC5-SHELF-S	Accessory shelf
27	RPC07-104	Door Gasket

*** CHECK DATA PLATE ON REAR OF CABINET TO CONFIRM CABINET VOLTAGE BEFORE SELECTING PARTS**

WIRING DIAGRAM 120V AND 220 / 240V



Warranty

WARRANTY, EXCLUSION OF WARRANTIES AND LIMITATION OF LIABILITY.

InterMetro Industries Corporation (hereinafter referred to as "Seller") warrants to the original purchaser that all products in its catalog, or custom products, delivered hereunder will be free from defects in workmanship and material. THE FOREGOING WARRANTY IS EXCLUSIVE AND IN LIEU OF ALL OTHER WARRANTIES, EXPRESS, IMPLIED OR STATUTORY, INCLUDING ANY WARRANTY OF MERCHANTABILITY OR FITNESS FOR A PARTICULAR PURPOSE. This Warranty shall be for a period of one (1) year from the date of shipment from Seller's warehouse or factory. If any product delivered hereunder does not meet the Warranty specified above, providing the product has not been altered in any way by anyone other than Seller's factory-authorized representative, and assuming normal and proper use and maintenance, Seller will, at its option, repair or replace any part or material it determines, upon inspection, to be defective; provided however, that a charge for labor will be made except during a period of one (1) year from the date of original shipment from Seller's warehouse or factory. No product, or part thereof, is to be returned to Seller without prior written approval from Seller's factory. All exchanges and replacement shipments will be F.O.B. Seller's factory. Warranties for equipment or articles not manufactured by the Seller are solely the warranties of the manufacturers thereof and they are hereby assigned to the purchaser without recourse to the Seller.

SELLER'S LIABILITY FOR ANY CLAIM OF ANY KIND, WHETHER BASED ON CONTRACT, NEGLIGENCE OR STRICT LIABILITY IN TORT, AND BY WHOMEVER MADE, FOR ANY DIRECT, INDIRECT, INCIDENTAL OR CONSEQUENTIAL LOSS, DAMAGE OR INJURY, RESULTING TO THE PURCHASER OR ANY THIRD PARTIES, arising out of, connected with or resulting from this Agreement, or from the performance or breach thereof, or from the manufacture, sale, delivery, resale, installation, inspection, repair or use of any product covered by or furnished under this Agreement, WHETHER OR NOT CAUSED BY SELLER'S NEGLIGENCE, SHALL IN ALL EVENTS BE EXCLUSIVELY LIMITED TO THE COST OF CORRECTING DEFECTIVE, DAMAGED OR NON-CONFORMING PARTS OR MATERIAL AS HEREIN PROVIDED, and upon the expiration of one (1) year, all such liability shall terminate.

SELLER DOES NOT AUTHORIZE any person to assume for it any obligations or liabilities greater than or different than those set forth in this Warranty. The terms under which any of Seller's products may be resold must be limited in accordance with this Warranty.

THIS AGREEMENT, and all the rights and obligations arising hereunder, shall be construed in accordance with, and be governed by, the law of the Commonwealth of Pennsylvania, U.S.A.

TO INSURE WARRANTY implementation, return the completed registration card within 15 days of cabinets' receipt to: InterMetro Industries Corp., Wilkes-Barre, PA 18705



InterMetro Industries Corporation
Wilkes-Barre, PA 18705

04/2021

For online warranty registration, please go to www.metro.com/service-support/thermal-cabinets to register electronically

THIS PAGE IS KEPT INTENTIONALLY BLANK

* Save this document for future application, load rating and/or safety reference.

© 2021 InterMetro Industries Corporation, Wilkes-Barre, PA 18705
L01-633 REV E 04/21



We put space to work.®

an Ali Group Company



The Spirit of Excellence