



VERSA
Chill

IM-350B

ICE MACHINE STORAGE BIN

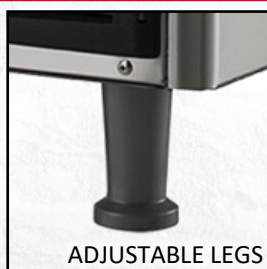
IM-350B ICE MACHINE STORAGE BIN



FEATURES

- BIN FOR COLLECTING ICE
- DOOR ALLOWS EASY ACCESS TO ICE IN THE BIN
- DESIGNED TO HOLD UP TO 275 LBS OF ICE
- CONVENIENT, BUILT-IN SCOOP HOLDER
- LIGHT WEIGHT
- CORROSION RESISTANT
- COMPATIBLE WITH ICE MACHINE HEAD: IM-350H

ADDITIONAL IMAGES



ADJUSTABLE LEGS

MODEL DESIGNATIONS



ADDITIONAL RESOURCES

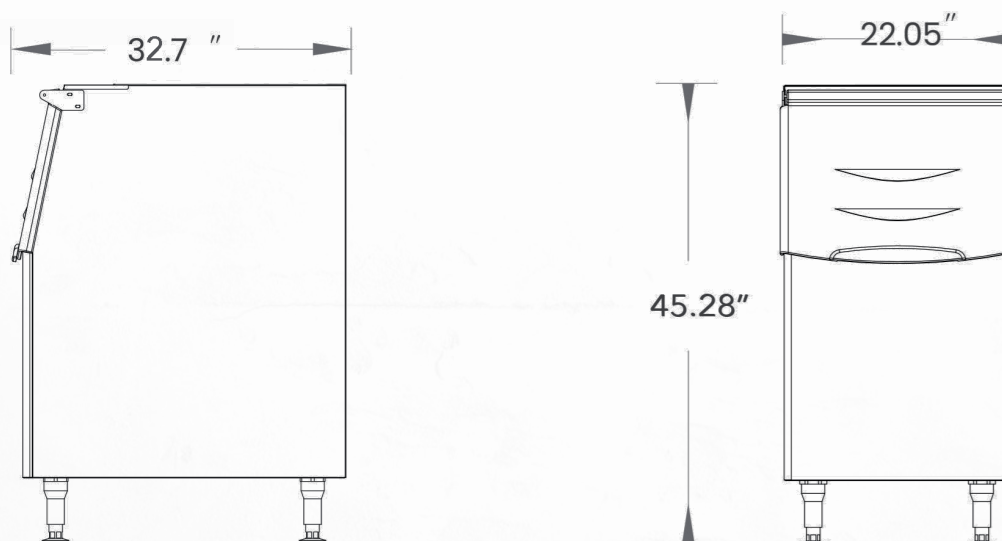
DIMENSIONS

MODEL		PRODUCT DIMENSIONS				SHIPPING DIMENSIONS WITH SKID			
		WIDTH	DEPTH	HEIGHT	WEIGHT LBS/KGS	WIDTH	DEPTH	HEIGHT	WEIGHT LBS/KGS
IM-350B	INCH	22	32.7	45.3	79	36	36	50	119
	MM	560	830	1150	36	914	914	1270	54

TECHNICAL

CONDENSER UNIT	REFRIGERANT	AMPS	VOLTAGE	POWER	OUTPUT 24 HRS LBS/KGS	BIN CAPACITY LBS/KGS
N/A	N/A	N/A	N/A	N/A	N/A	275
					N/A	125

LINE DRAWINGS



EFI Sales Ltd.
 Toronto Office & DC
 515 Hanlon Creek Blvd.
 Guelph, ON, N1C 0A1

EFI Sales Ltd.
 Vancouver Office & DC
 26895 Gloucester Way
 Langley, BC, V4W 3Y3

(888) 565-9920 Toll Free
 (519) 822-1895 Toronto
 (604) 607-8850 Vancouver