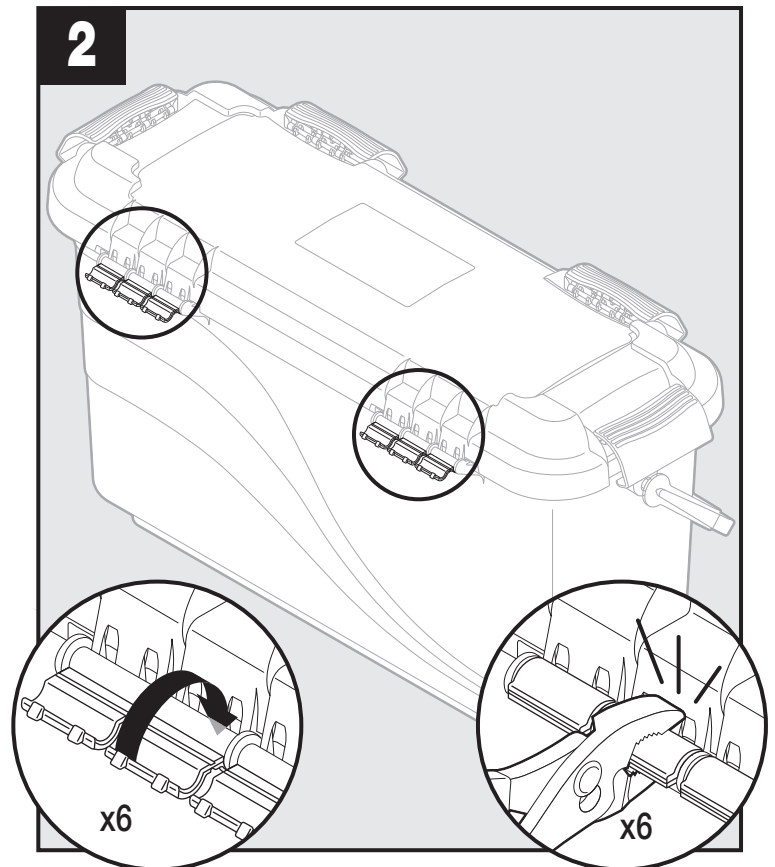
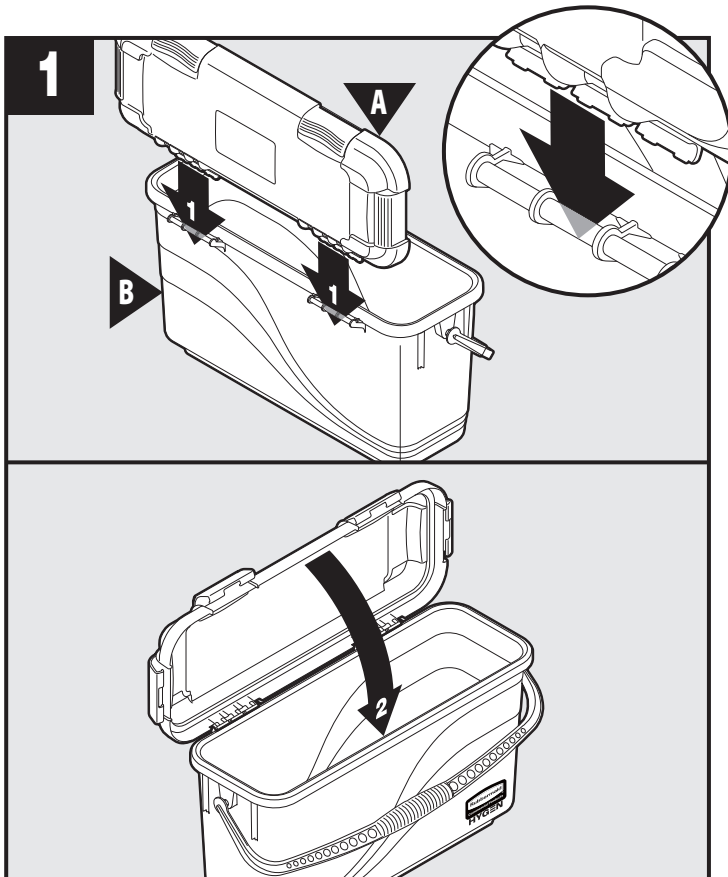
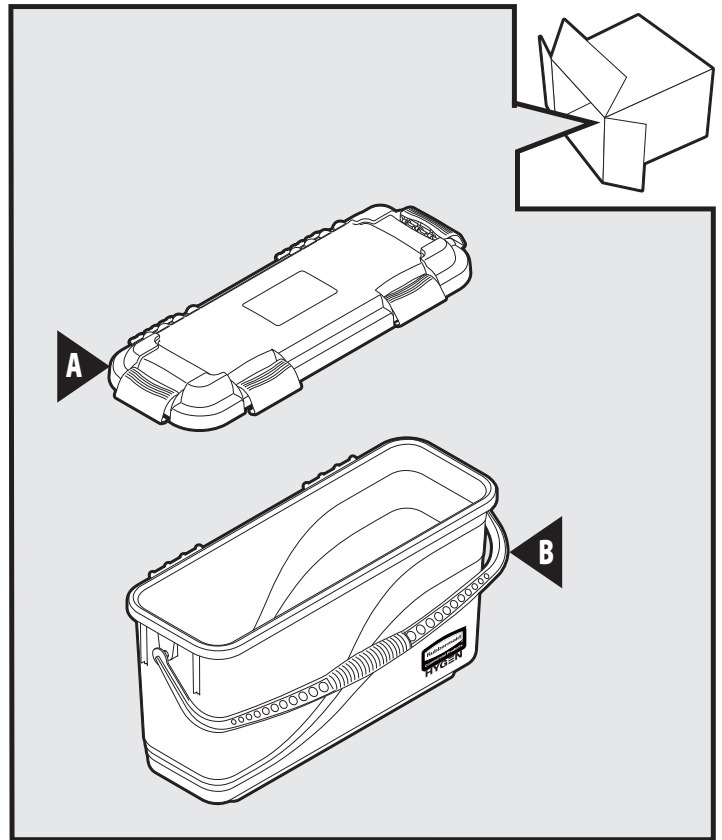


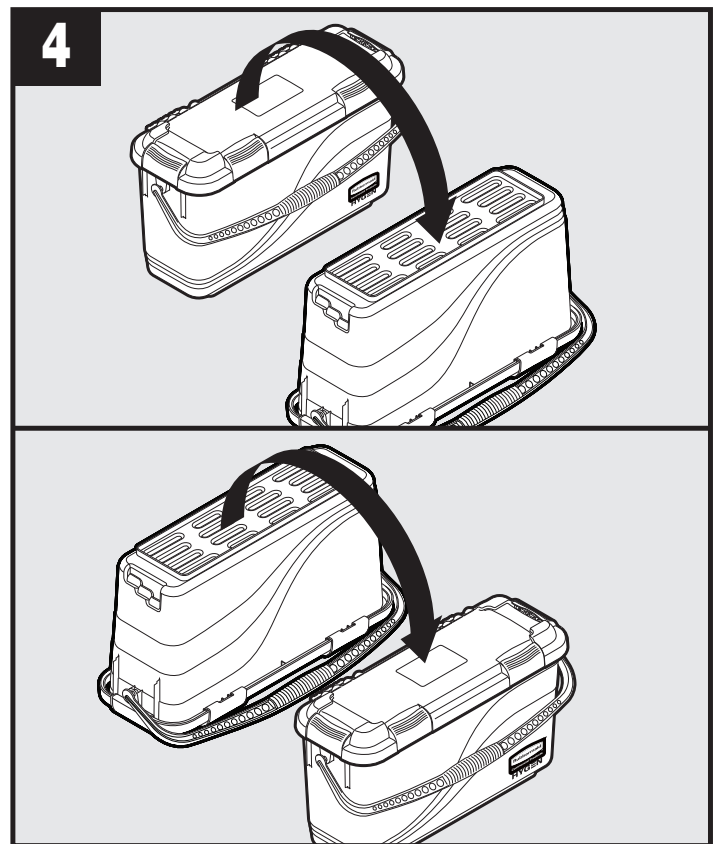
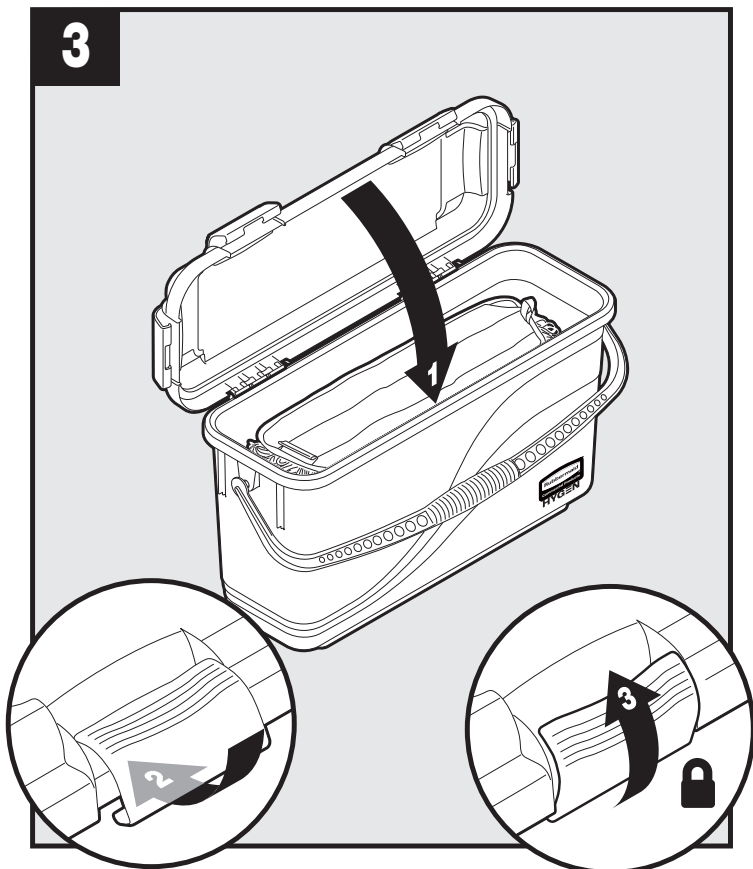
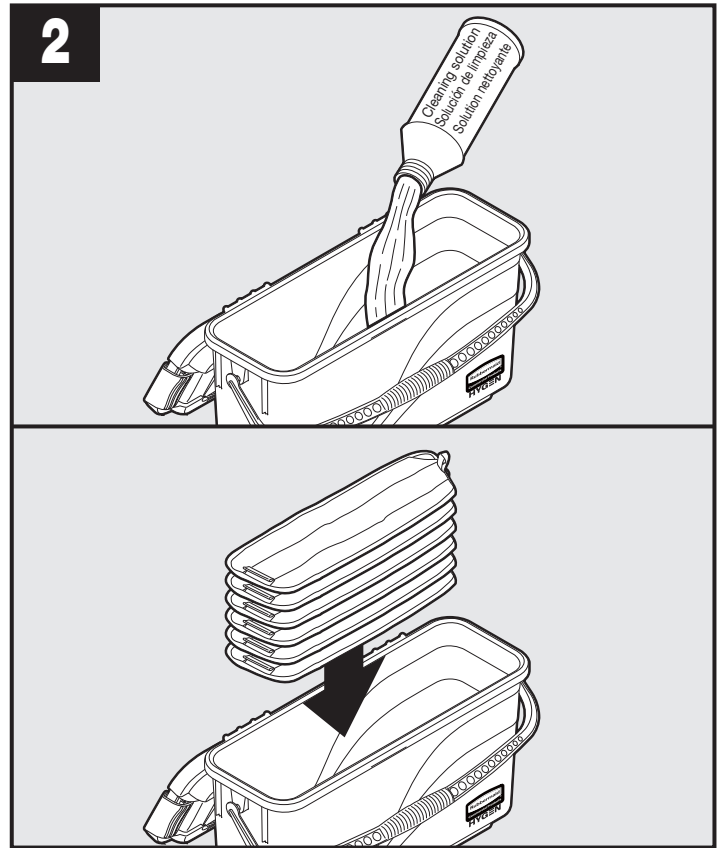
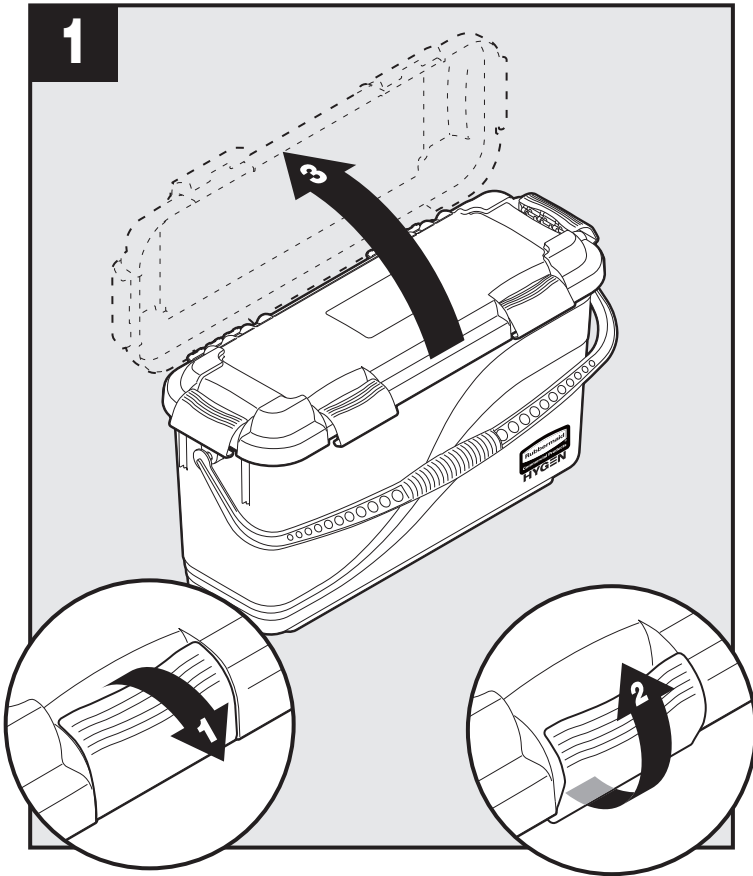
**Rubbermaid**  
Commercial Products<sup>®</sup>  
**HYGEN**<sup>™</sup>



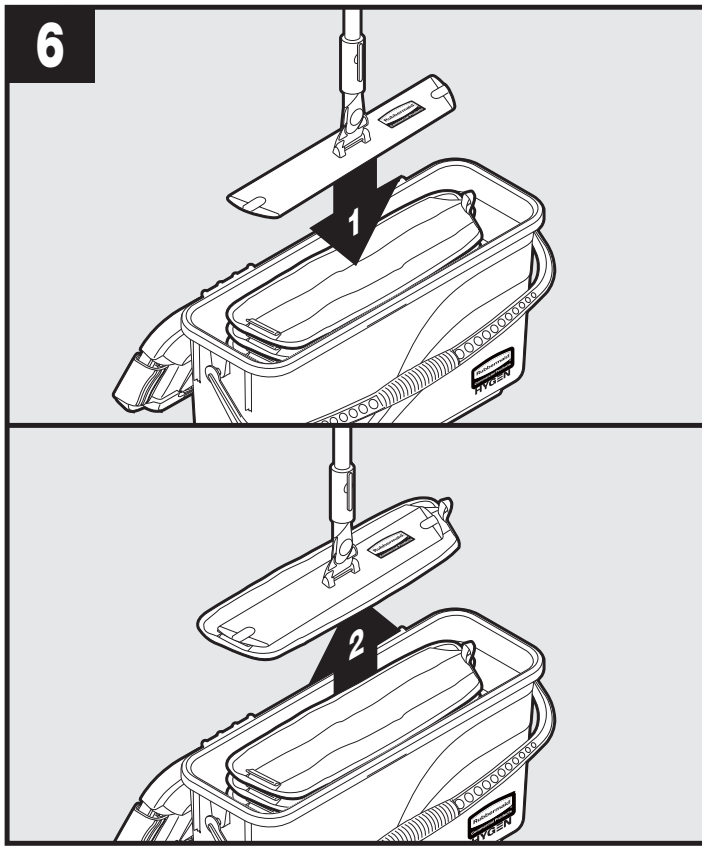
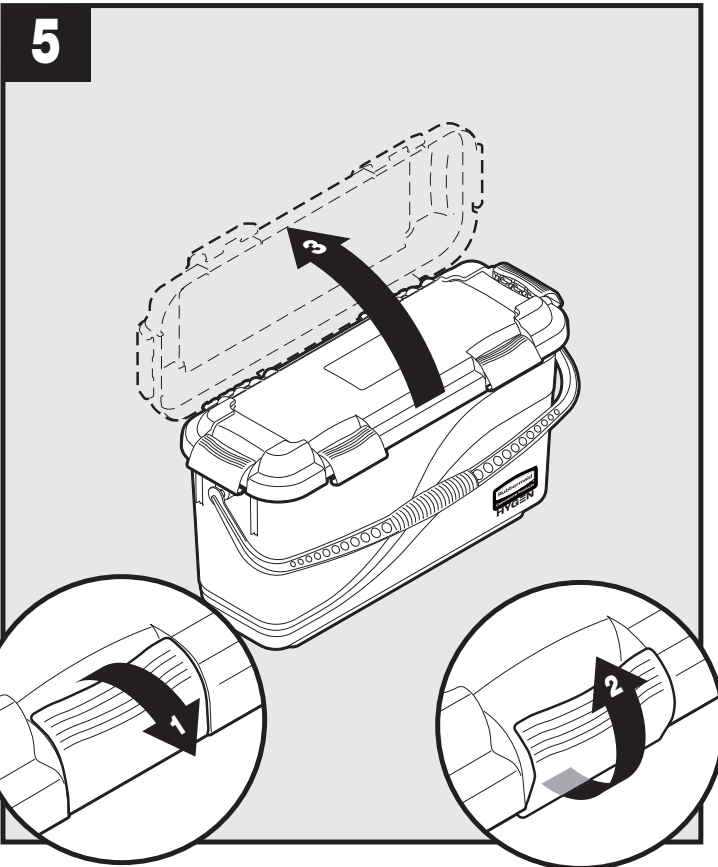
FGQ95088YEL | 1863892



# Usage Instructions/Instructions d'utilisation/Instrucciones del uso



**Note:** Flip bucket to allow mops to soak for ten minutes./ **Nota:** Dé vuelta al cubo para permitir que los trapeadores se remojen por diez minutos./ **Remarque :** Retourner le seau pour permettre aux balais à franges de tremper pendant 10 minutes./



Products manufactured under quality management system registered to ISO 9001:2000  
©2012 Rubbermaid Commercial Products LLC  
FGQ95088YEL | 1863892



Rubbermaid Commercial Products LLC  
3124 Valley Avenue  
Winchester, VA 22601 U.S.A.  
Phone: 1-800-347-9800  
[www.rubbermaidcommercial.com](http://www.rubbermaidcommercial.com) #1870226