



Outperform every day.™

Project:

Item Number:

Quantity:

## CAYENNE® HOT FOOD MERCHANDISERS



Cayenne® Hot Food Merchandiser

### ITEMS

Item No.	Model No.	Description
40733	FMA7026	26" Merchandiser
40734	FMA7036	36" Merchandiser
40735	FMA7048	47" Merchandiser

### FEATURES

- Thermostatically controlled heat with 85° to 175°F (29° to 79°C) temp range
- Specially designed baffle for even temperature distribution
- Internal humidifying system to keep food looking fresh longer
- Center located water pan is included for additional humidification in display,
- Front and rear sliding doors for easy loading and customer self-serve convenience. Doors can be locked.
- Three adjustable shelves for versatile displays
- Illuminated display for bright, eye-catching merchandising
- Lights controlled separately. Lights can be used without heat
- 5 ft. (1.5 m) cord and plug

### DESCRIPTION

The Cayenne® Hot Food Merchandiser is the ideal solution for presenting and keeping warm a variety of food products. Variable heat control with humidity keeps food at the right temperature. Three adjustable tiered shelves accommodate and attractively merchandise an endless variety of food products. Front and rear sliding lockable doors make restocking easy and are ideal for self-serve operations.

### Agency certifications



Due to continued product improvement, please consult [www.vollrath.com](http://www.vollrath.com) for current product specifications.

**WARRANTY:** All models shown come with Vollrath's standard warranty against defects in materials and workmanship. For full warranty details, please refer to [www.Vollrath.com](http://www.Vollrath.com).

Approvals	Date



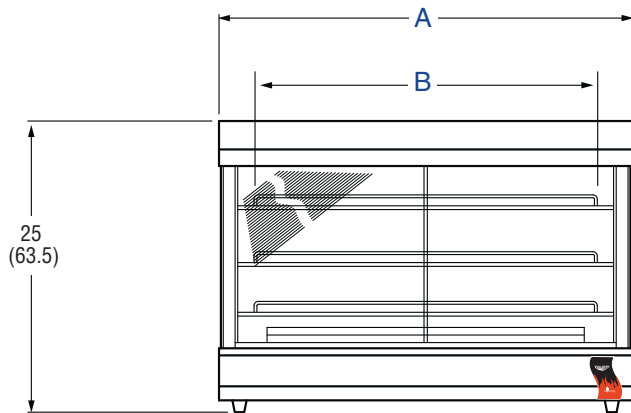
Outperform every day.™  
[www.vollrath.com](http://www.vollrath.com)

The Vollrath Company, L.L.C.  
1236 North 18th Street  
Sheboygan, WI 53081-3201 U.S.A.  
Customer Service: 800.628.0830  
Canada Customer Service: 800.695.8560  
Main Fax: 800.752.5620 or 920.459.6573

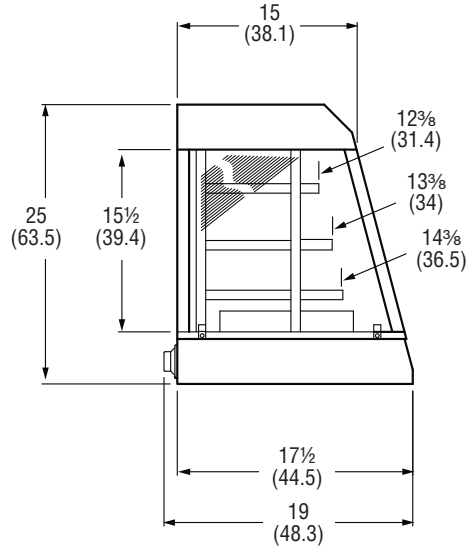
Technical Services: 800.628.0832  
Technical Services Fax: 920.459.5462

# CAYENNE® HOT FOOD MERCHANDISERS

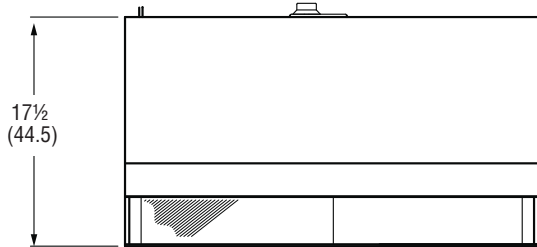
## DIMENSIONS (Shown in inches (cm))



Front View

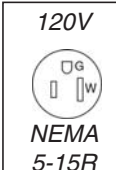


Side View



Top View

## SPECIFICATIONS

Item No.	(A) Overall Width	(B) Shelf Width	Voltage	Watts	Amps	Ship Weight Lb (Kg)	Plug	Receptacle
40733	26 (66)	23½ (59.7)	120 AC	1440	12	85 (38.6)	5-15P	 120V NEMA 5-15R
40734	36 (91.4)	32¼ (81.9)				108 (49)		
40735	47 (119.4)	44 (11.8)				156 (70.7)		



Outperform every day.™

[www.vollrath.com](http://www.vollrath.com)

The Vollrath Company, L.L.C.  
 1236 North 18th Street  
 Sheboygan, WI 53081-3201 U.S.A.  
 Customer Service: 800.628.0830  
 Canada Customer Service: 800.695.8560  
 Main Fax: 800.752.5620 or 920.459.6573

Technical Services: 800.628.0832  
 Technical Services Fax: 920.459.5462