

Master Series

Half Size Electric Convection Oven

Parts List

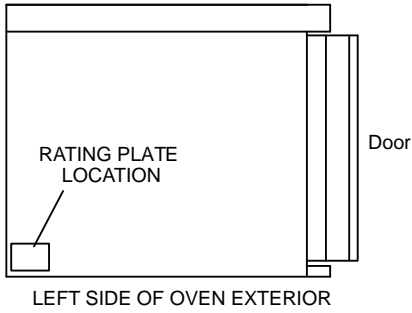
Models:

MCO-E-5-C

MCO-E-25-C

from **serial# 1106230000001 (01-JUNE-11)**

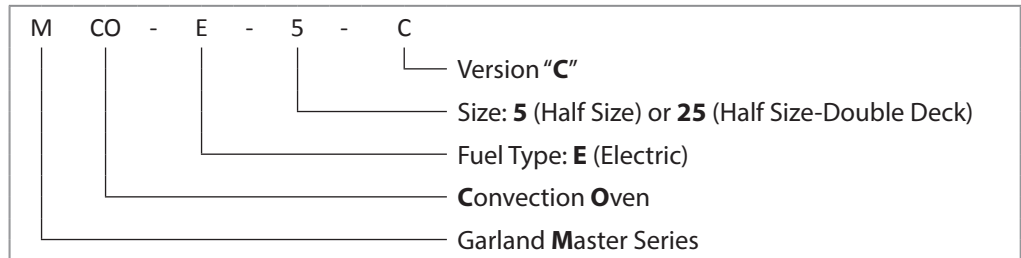
Rating Plate Location



Reading the Model Code

MCO Half Size Models:

- *MCO-E-5-C*
- *MCO-E-25-C*



Serial# (Year/Month Information)

The Serial Number is **13 Digits** long and is stamped on the Rating Plate.

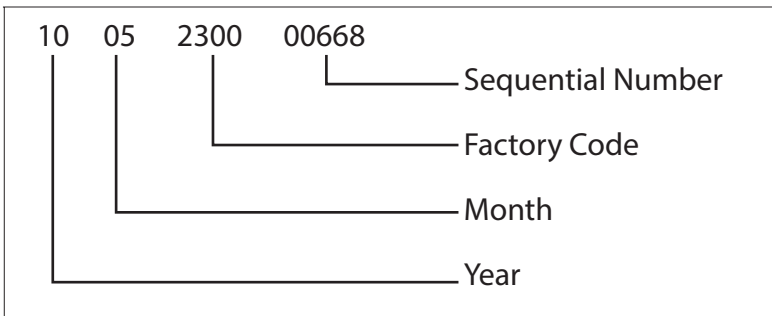


Table of Contents

Model & Serial# Interpretation / Rating Plate Location2

Revision History3

Oven Components4

Side Partition Assembly.....8

Master 200 Control Panel & Components 10

Elements & Components..... 12

Door Components & Assemblies 14

Equipment Stand with Optional Rack Guides and Racks..... 16

Critical & Recommended Stock Parts List..... 18

List of Harnesses & Wiring Diagram Part Numbers 18

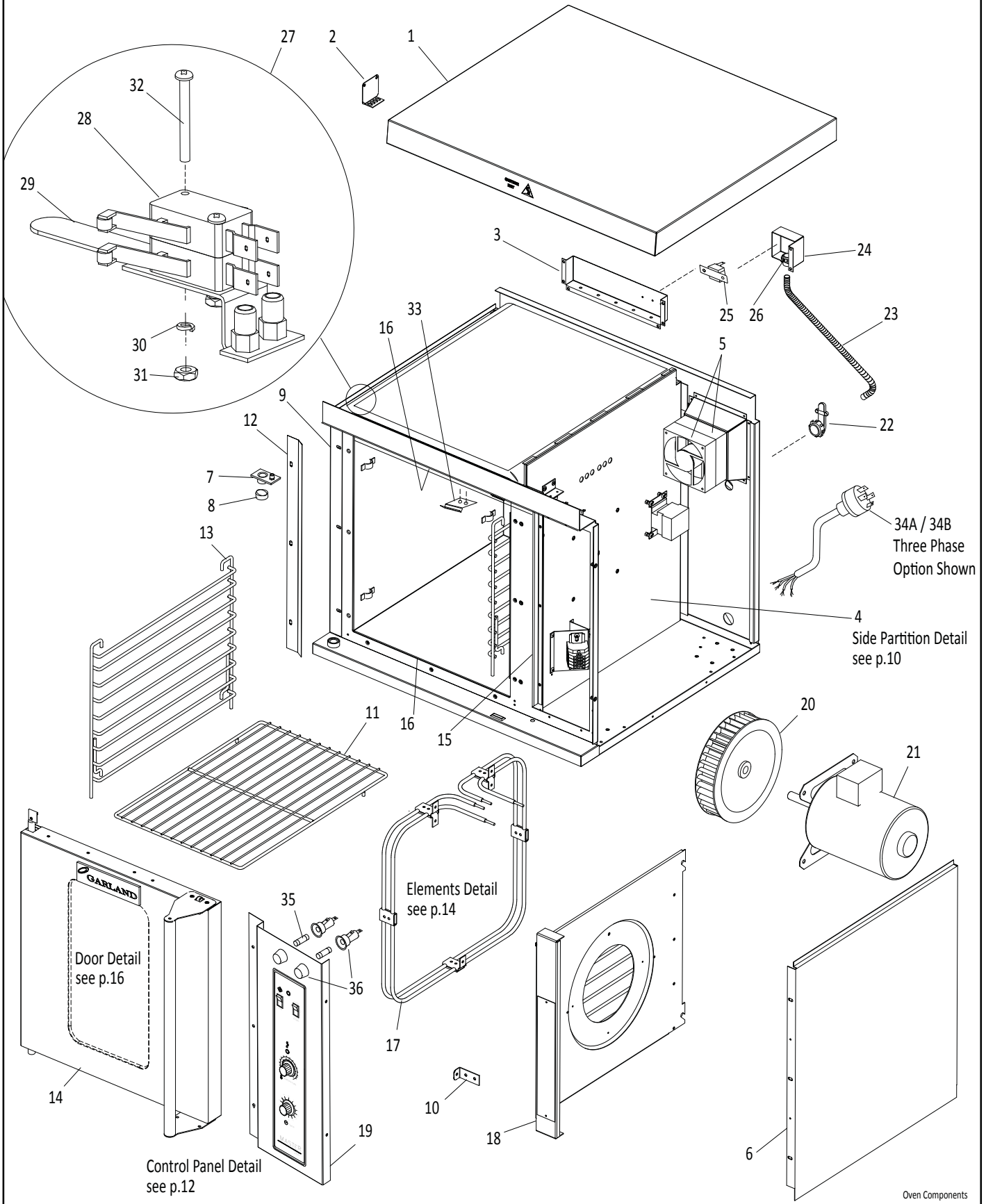
Related Bulletins 19

Heat Shield Kit (Accessories)..... 19

REVISION HISTORY

REV	PAGE#	ITEM#	NOTES	DATE
0			New Product Parts List Released	AUG 03/11
1	13	5	IM200 Controller 300867 was 1955501. Note: First unit manufactured with controller 300867 has (date) 13-Jan-2012, (serial#) 1201230000125, (model) MCO-E5-C-0037.	FEB 08/12
	21		Added bulletin info for controller 300867.	
2	20		Harness Kit P/N - CK300827 replaced 300827.	AUG 27/12
	13	22C/22D	Main Harness 300887 replaced 1949589.	
3	17	50, 60	P/N CK113539 replaced 113539; CK113680 replaced 113680.	SEP 7/12
4	11	6	New timer, new service kit. ECO-001007A. GAR_SB_0049	5/12/2017
			Updated bulletin list.	
5	19		Added Heat Shield Kit A4602982, Accessory (instructions 4602983)	7/12/2017

OVEN COMPONENTS



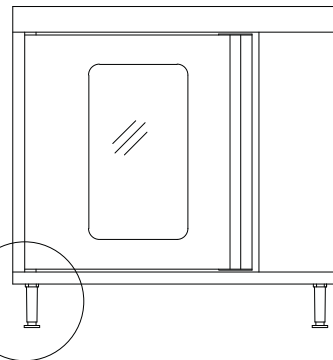
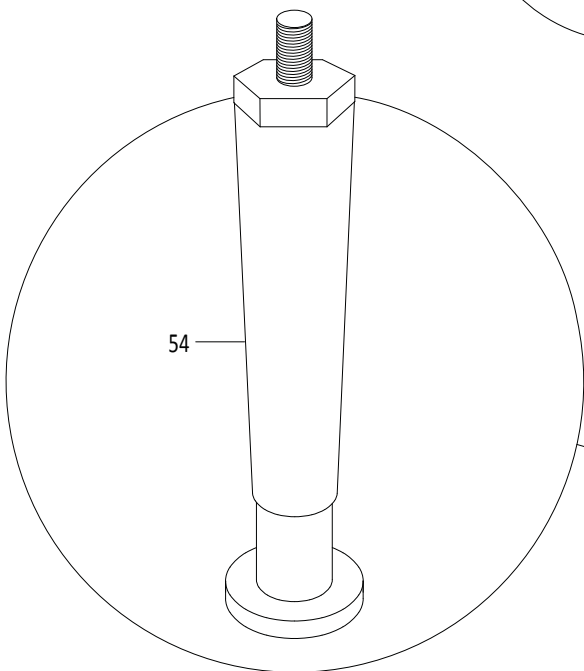
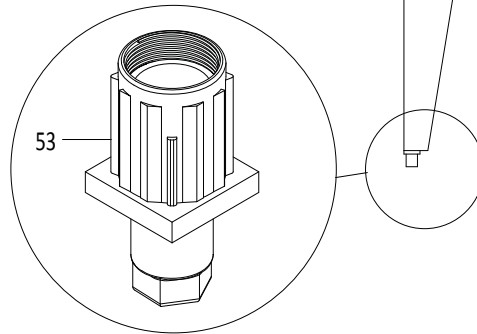
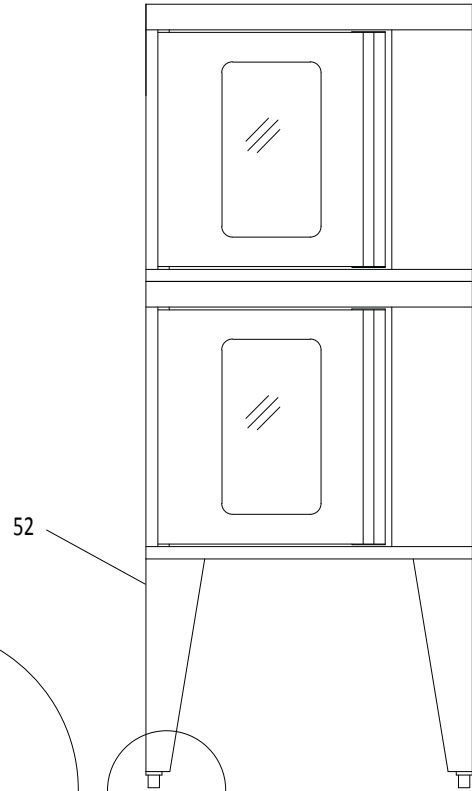
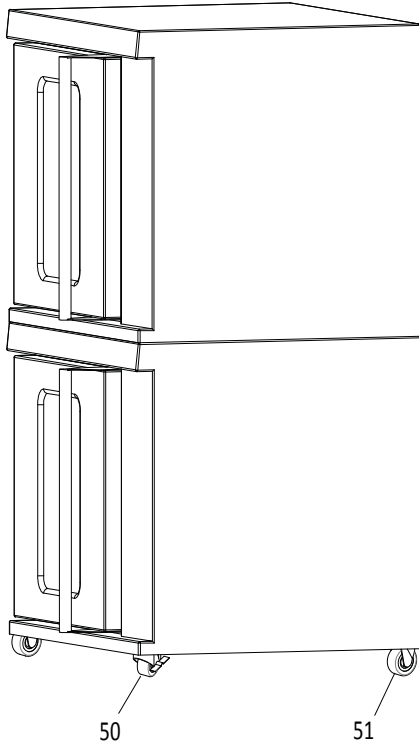
GARLAND PARTS IDENTIFICATION
Master Half Size Electric Convection Oven (MCO-E-5-C, MCO-E-25-C)

OVEN COMPONENTS

ITEM	PART #	DESCRIPTION	QTY	CRITICAL
1	1960901	Main Top	1	
2	1960902	Cover - Micro Switch Access	1	
3	1960502	Flue Box MCOE5	1	
4		Side Partition Assembly Note: For components detail, see "Side Partition Assembly"; p. 10.	1	
5	1671101	Fan - 110MM, 208/240V	2	C
6	1951402	Body Side - Control, Right Side	1	
7	CK1385497	Hinge Bracket Assembly	2	
8	1011201	Steel Tubing Chrome Spacer	2	
9	1951401	Body Side - Oven	1	
10	1960709	Baffle Mounting Bracket	2	
11	1766001	Oven Rack	5	
12	1966503	Door Seal - Hinge Side, MCOE5	1	
13	1766002	Rack Guide	2	
14		Door Assembly (with or without Window) - MCO-E-5-C Note: For components detail, see "Door Assembly"; p. 16	1	
15	1966501	Door Seal RT Silicon	1	C
16	1966502	Door Seal Top/Bottom Silicon	2	C
17		Element - Inner, Outer, and Center (Optional) Note: For components detail, see "Elements & Components"; p. 14.	1	
18	1960797	Baffle Assembly	1	
19		IM200 Control Assembly - MCO-E-5-C Note: For components detail, see "Master 200 Control Assembly & Components"; p. 12.	1	
20	CK4519657	Blower Wheel Assembly (includes 1765704 Blower Wheel)	1	
21	1951502	Motor - 208/240V 1/3HP 5/8 Shaft 2 Speed	1	C
22	1028500	BX Connector - 3/8" 90 deg	1	
23	1960504	BX Cable - 15 3/8"	1	
24	1960503	High Limit Cover	1	
25	4520416	High Limit - 135 deg F	1	C
26	1028501	BX Connector - 3/8" Straight	1	
27	113547	15 Amp Micro-Switch (Door Switch) Assembly Note: Assembly includes items 28 - 32.	1	
28	9006402	15 Amp Mini Snap Hi-Temp Switch	2	C
29	1962106	Micro-Switch Bracket	1	
30	8000210	Split Lock Washer - #4 x 13/64 x .04	2	
31	8001201	Hex Nut - #4 - 40	2	
32	8003222	Machine Screw - #4 - 40 x 1-1/2" Philip Head	2	
33	1750501	Door Catch	1	C

* NOT ILLUSTRATED

RECOMMENDED STOCK PARTS



GARLAND PARTS IDENTIFICATION
Master Half Size Electric Convection Oven (MCO-E-5-C, MCO-E-25-C)

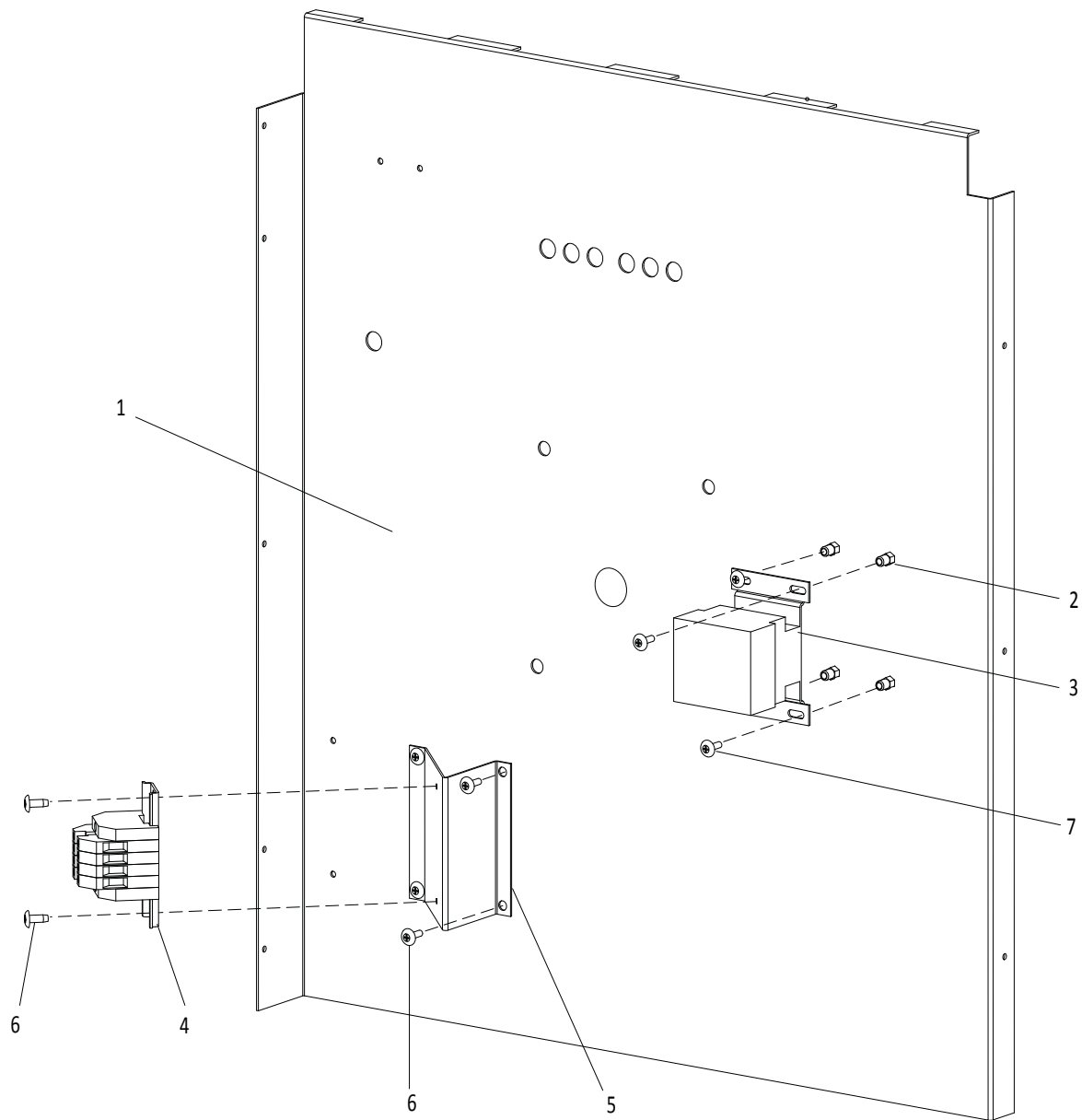
OVEN COMPONENTS

ITEM	PART #	DESCRIPTION	QTY	CRITICAL
Three Phase Option:				
34A	4512340	Three Phase Cord Set Note: Includes a plug, a receptable, an 8' cord, and a BX connector.	1	
	CK4529043	Three Phase Cord Set - 208/240V 30A Pin & Sleeve Note: Includes an 8' cord, a plug, a cord connector and a lock nut.	1	
Single Phase Option:				
34B*	4512339	Single Phase Cord Set Note: Includes a plug, a receptable, an 8' cord, and a BX connector.	1	
	4520534A	Single Phase Twist-Lock Cord and Plug Set Note: Includes an 8' cord and a plug.	1	
35	4513157	Fuse (600V / 10A)	2	C
36	1774101	Fuse Holder	2	C
LEGS AND CASTERS				
50	1027801	Caster, Swivel, with Wheel Lock	2	
51	1027800	Caster, Swivel, without Wheel Lock	2	
52	1927199	Legs, 21 1/4" (540mm), S/S	4	
53	1236100	Foot Insert, Square	4	
54	06158	Leg, 4", Adjustable, Flange Foot, Threaded Stud Mount, S/S	4	

* NOT ILLUSTRATED

RECOMMENDED STOCK PARTS

SIDE PARTITION ASSEMBLY



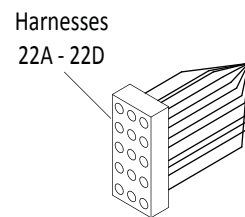
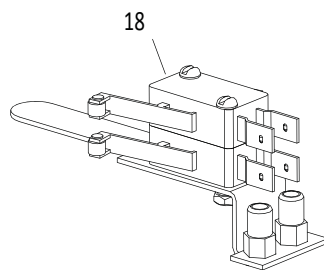
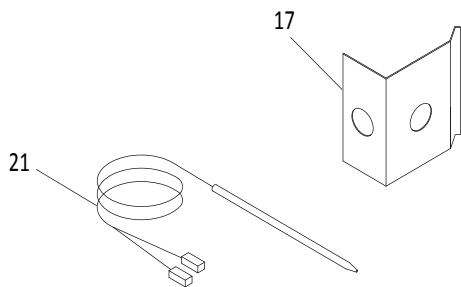
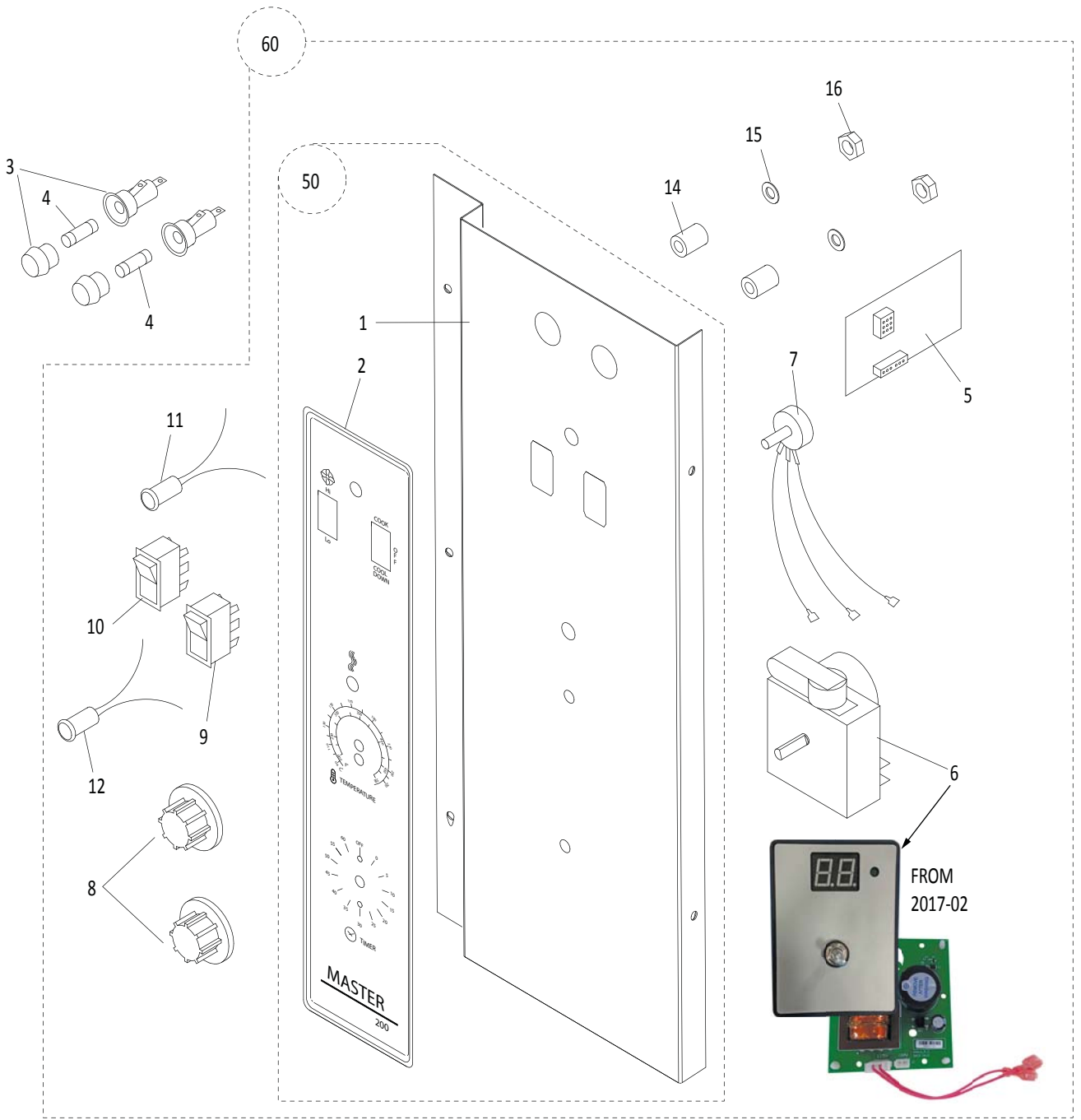
GARLAND PARTS IDENTIFICATION
Master Half Size Electric Convection Oven (MCO-E-5-C, MCO-E-25-C)

SIDE PARTITION ASSEMBLY

ITEM	PART #	DESCRIPTION	QTY	CRITICAL
1	1961101	Partition Side	1	
2	F600	#10-24 Threaded Hex Insert	4	
3	1637002	Contactactor 240V Coil	1	C
4	4516982	Terminal Block 4 Lug	1	
5	1962208	Bracket, Terminal Block	1	
6	8002107	#10 x 1/2" Truss, Pan Head	4	
7	8003123	#10-24 x 5/8" Truss, Pan Head	4	
8*	300825	Contactactor Harness - from Terminal Block to Contactactor	1	

* NOT ILLUSTRATED

RECOMMENDED STOCK PARTS



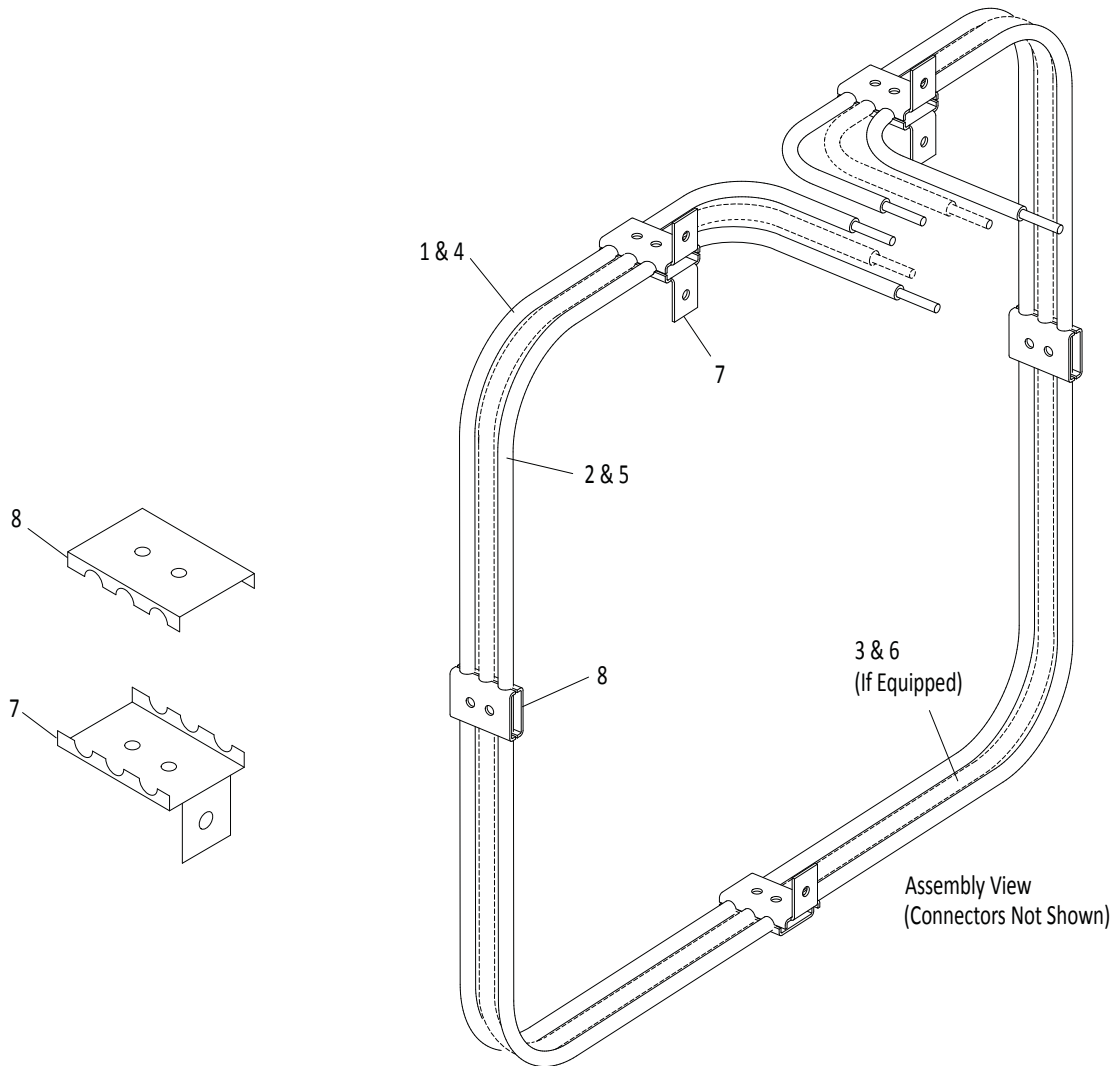
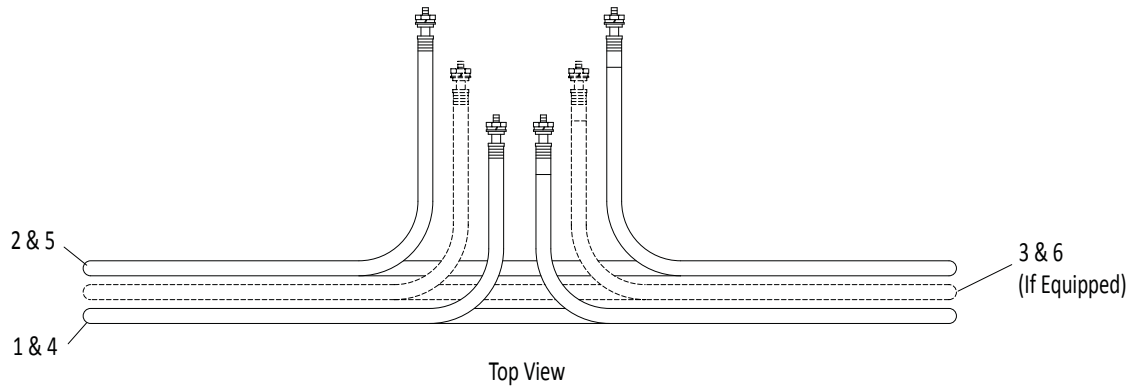
GARLAND PARTS IDENTIFICATION
Master Half Size Electric Convection Oven (MCO-E-5-C, MCO-E-25-C)

MASTER 200 CONTROL PANEL & COMPONENTS

ITEM	PART #	DESCRIPTION	QTY	CRITICAL
1	113527	Control Panel, MCO-E-5-C IM200	1	
2	1908528	Overlay, MCO 200 WO/Light	1	
3	1774101	Fuse Holder 600V 30A HPG	2	C
4	4513157	Fuse - 10 Amp 600V Time Delay	2	C
5	300867	Power Control Board - IM200, 150-500 deg F	1	C
6	CK11000301072	Timer, Complete, 230V Conversion, Digital, 90min (for 208V, 240V, 460V Ovens, Gas or Electric). Was 1956002. Bulletin GAR_SB_0049	1	C
7	1955601	Potentiometer - IM200, 150-500 deg	1	C
8	1765802	Knob, Fluted, with Two Set Screws	2	
9	1955401	Switch, Rocker ON-OFF-ON	1	C
10	1955402	Switch, Rocker ON-ON	1	C
11	G01296-3	Indicator Lamp, Green, 250V	1	C
12	1936104	Indicator Lamp, Amber, 250V	1	C
14	1955701	Nylon Standoff 1/4 x 1/2 x 1	2	
15	1955801	Teflon Washer 7/16 OD	2	
16	8001502	Nut with Lockwasher 6-32 KEP	2	
17	1768701	Probe Holder	1	
18	113547	15 Amp Micro-Switch (Door Switch) Assembly Note: For assembly components detail, see "Oven Components" p. 6-7.	1	
21	9006800	RTD Temperature Sensor	1	C
22A	1804741	Harness - Control Panel	1	
22B	1804747	Door Switch (Micro-Switch) Harness - from Door Switch to Control Panel	1	
22C	300887	Main Wiring Harness - from Control Panel Harness to Motor, Terminal Block, Contactor	1	
22D	CK300827	Wiring Harness Kit Note: Kit includes Items# 22A, 22B, 22C, the Contactor Harness (part# 300825, see "Side Partition Assembly" p.10).	1	
23*	300823	Wiring Diagram, MCO-E-5-C IM200 208/240V 60Hz 2SP		
24*	260BGL	Installation and Operation Manual		
50	113567	Control Panel with Overlay - IM200 Note: Includes items 1 and 2.	1	
60	113569	IM200 CONTROL ASSEMBLY - MCO-E-5-C Note: Includes Items 1, 2, 5 - 12, 14 - 16	1	

* NOT ILLUSTRATED
RECOMMENDED STOCK PARTS

ELEMENTS & COMPONENTS



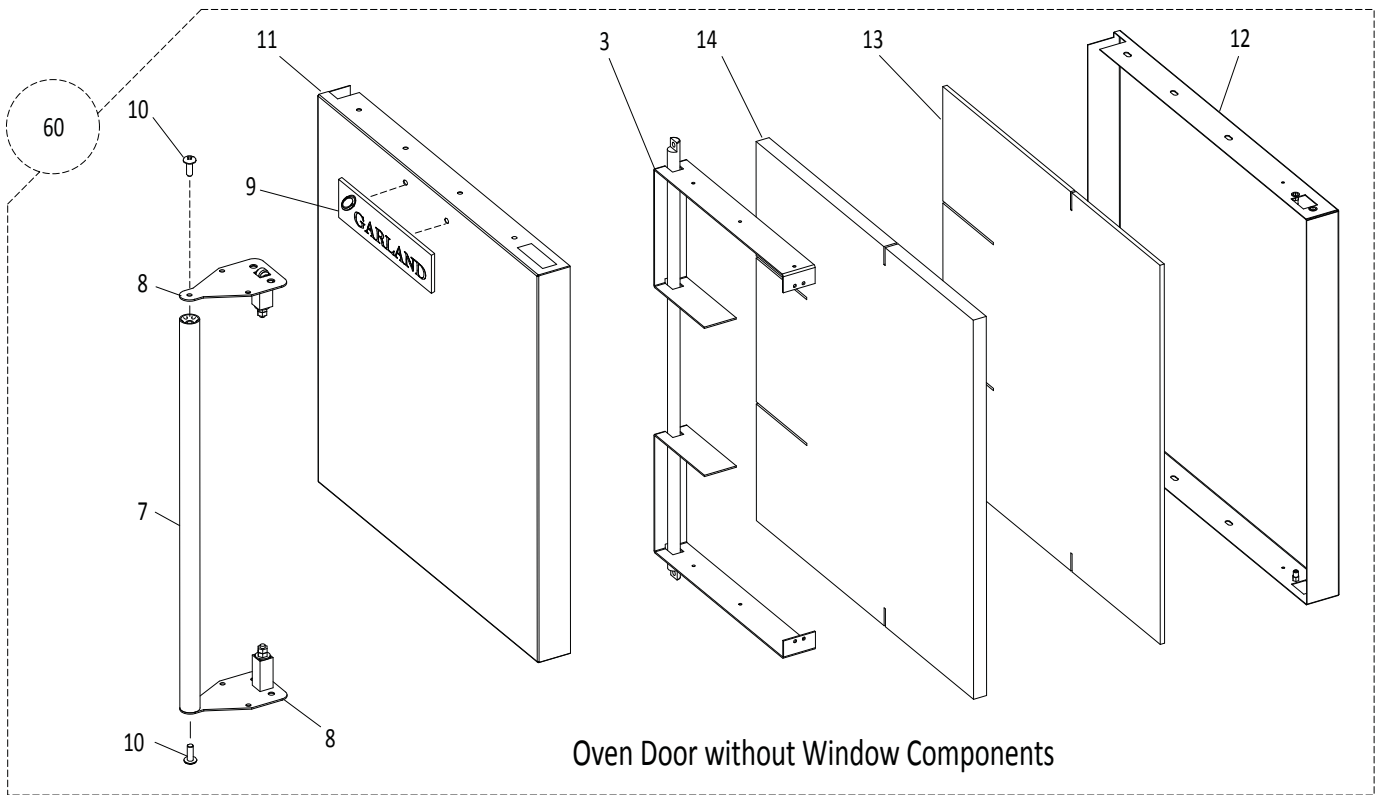
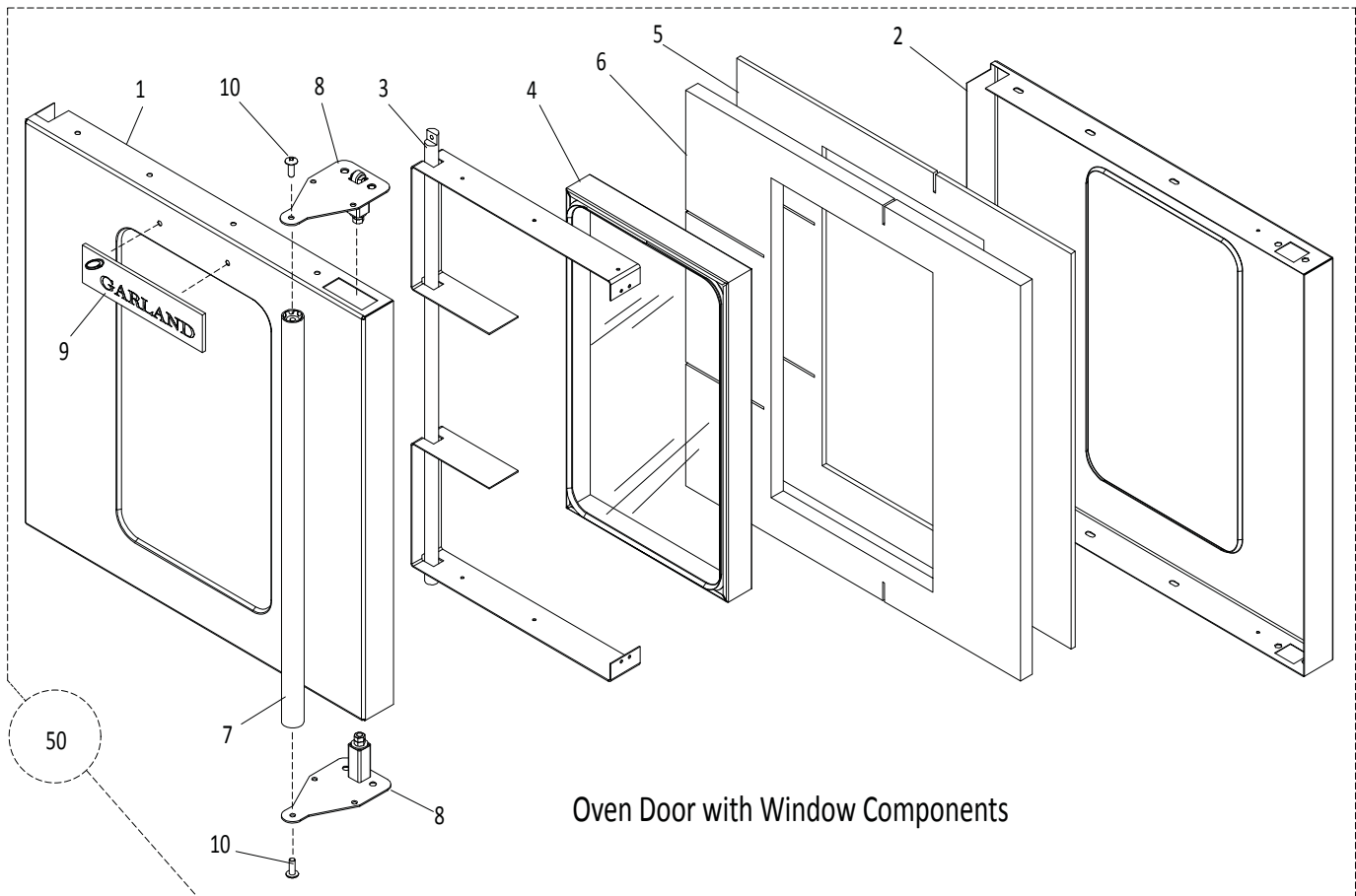
GARLAND PARTS IDENTIFICATION
Master Half Size Electric Convection Oven (MCO-E-5-C, MCO-E-25-C)

ELEMENTS & COMPONENTS

ITEM	PART #	DESCRIPTION	QTY	CRITICAL
1	1765101	Element Inner 208V 2500W 60Hz 5.0 & 7.5kW	1	C
2	1765102	Element Outer 208V 2500W 60Hz 5.0 & 7.5kW	1	C
3	1765111	Element Center 208V 2500W 60Hz 7.5kW ONLY Note: This is an Optional Feature.	1	C
4	1765109	Element Inner 240V 2500W 60Hz 5.0 & 7.5kW	1	C
5	1765110	Element Outer 240V 2500W 60Hz 5.0 & 7.5kW	1	C
6	1765112	Element Center 240V 2500W 60Hz 7.5kW ONLY Note: This is an Optional Feature.	1	C
7	1765105	Element Holder with Flange	5	
8	1765106	Element Holder without Flange	5	
9*	300826	Element Harness - from Contactor to Elements on 5.0kW MCO-E-5-C Models	1	
10*	300842	Element Harness - from Contactor to Elements on 7.5kW MCO-E-5-C Models	1	

* NOT ILLUSTRATED

RECOMMENDED STOCK PARTS



Door Components

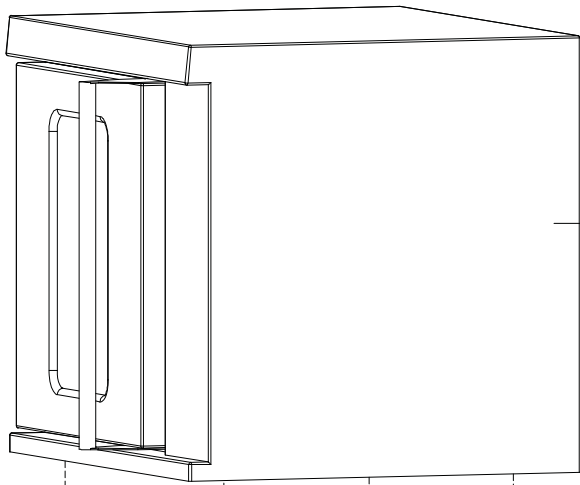
GARLAND PARTS IDENTIFICATION
Master Half Size Electric Convection Oven (MCO-E-5-C, MCO-E-25-C)

DOOR COMPONENTS & ASSEMBLIES

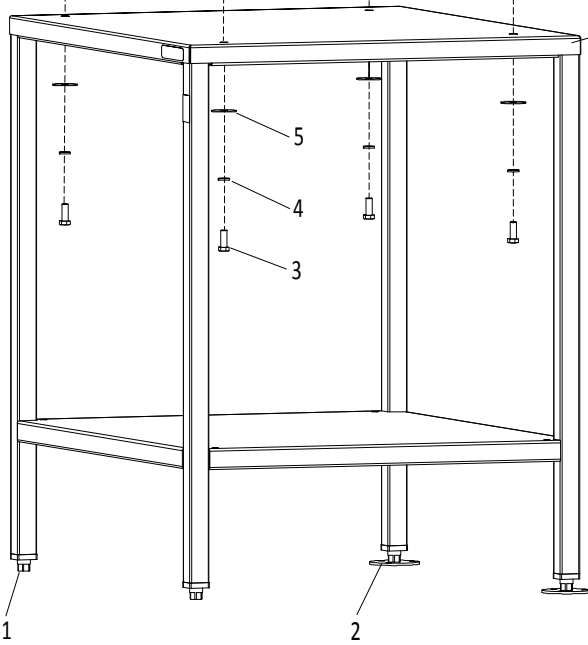
ITEM	PART #	DESCRIPTION	QTY	CRITICAL
1	113540	Door Panel with Window	1	
2	1962122	Door Liner with Window	1	
3	CK1962198	Door Frame Assembly	1	
4	1010999	Door Window (3/16" Glass)	1	
5	113428	Insulation - ATD T5000	1	
6	113429	Insulation - Fiberglass	1	
7	CK1952098	Handle - Half Size Convection Oven	1	
8	CK1952096	Handle End Latch Assembly	2	C
9	3077100	Name-plate	1	
10	8003142	Screw - 1/4-20 x 3/4"	2	
11	113679	Door Panel, Solid	1	
12	CK1962197	Door Liner, Solid	1	
13	1961906	Insulation - ATD T5000	1	
14	1961907	Insulation - Fiberglass	1	
50	CK113539	DOOR with WINDOW ASSEMBLY - MCO-E-5-C Note: Assembly includes items# 1 to 10.	1	
60	CK113680	SOLID DOOR ASSEMBLY - MCO-E-5-C Note: Assembly includes items# 11 - 14, 7 - 10.	1	

* NOT ILLUSTRATED

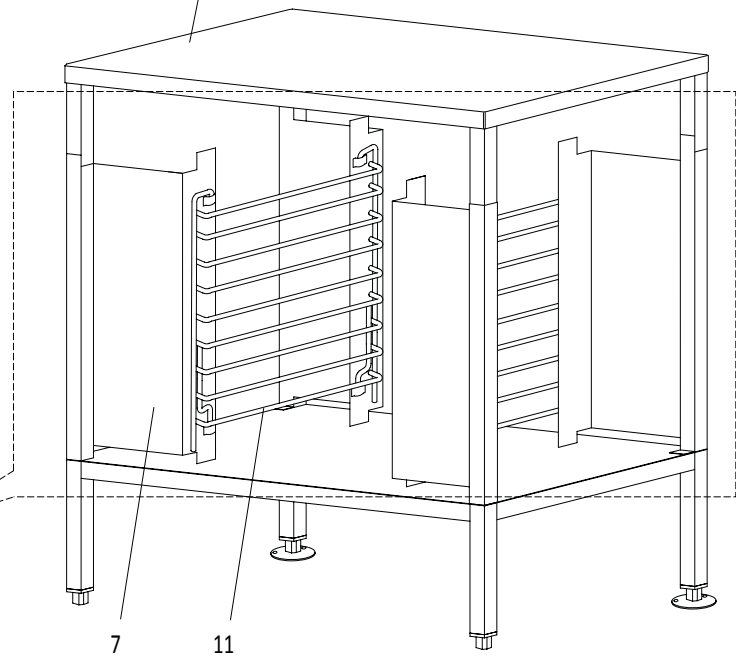
RECOMMENDED STOCK PARTS



Oven
Shown for Reference



Equipment Stand -
(Optional Feature,
Shown for Reference)



Equipment Stand with Rack Guides & Racks Option

GARLAND PARTS IDENTIFICATION
Master Half Size Electric Convection Oven (MCO-E-5-C, MCO-E-25-C)

EQUIPMENT STAND WITH OPTIONAL RACK GUIDES & RACKS

ITEM	PART #	DESCRIPTION	QTY	CRITICAL
1	100241	Foot, Adjustable, 1 1/4" Square Tube	2	
2	100413	Foot, Adjustable, Anchorable	2	
3	19134	Screw, 3/8-16 x 1", HH, SST	4	
4	WR50167	Washer, Lock, 3/8, SST	4	
5	107220	Washer, Fender, 13/32 ID x 1 1/2 OD, SST	4	
6*	260BGI	Mounting Instructions - MCO-E-5-C To Stand	1	
7	113566	Rack Supports	4	
8*	108644	Screw, Carriage, 1/4-20 x 1/2", SST	4	
9*	23105	Washer, Lock, 1/4", SST	4	
10*	14618	Nut, Hex, 1/4-20, SST	4	
11	1766002	Oven Rack Guide, Left/Right	2	
12*	260BGH	Installation Instructions - Rack Support Kit	1	
50	113580	Rack Support Kit Note: Kit includes items 7 - 12.	1	

* NOT ILLUSTRATED

RECOMMENDED STOCK PARTS

**GARLAND PARTS IDENTIFICATION
CRITICAL & RECOMMENDED STOCK PARTS LIST**

PART #	DESCRIPTION	CRITICAL
1010999	Door Window (3/16" Glass)	R
1637002	Contactors 240V Coil	C
1671101	Fan - 110MM, 208/240V	C
1765101	Element Inner 208V 2500W 60Hz 5.0 & 7.5kW	C
1765102	Element Outer 208V 2500W 60Hz 5.0 & 7.5kW	C
1765109	Element Inner 240V 2500W 60Hz 5.0 or 7.5kW	C
1765110	Element Outer 208V 2500W 60Hz 5.0 & 7.5kW	C
1765111	Element Center 208V 2500W 60Hz 7.5kW Only	C
1765112	Element Center 240V 2500W 60Hz 7.5kW Only	C
1765802	Knob, Fluted, with Two Set Screws	R
1774101	Fuse Holder 600V 30A HPG	C
G01296-3	Indicator Lamp, Green, 250V	C
1936104	Indicator Lamp, Amber, 250V	C
1951502	Motor 208/240V 1/3HP 5/8 Shaft	C
CK1952096	Handle End Latch Assembly	C
1955401	Switch, Rocker ON-OFF-ON	C
1955402	Switch, Rocker ON-ON	C
300867	Power Control Board - IM200, 150-500 DEG F	C
1955601	Potentiometer - IM200 150-500 DEG	C
CK11000301072	Timer, Complete; 230V Conversion; Digital; 90min (for 208V, 240V, 460V Ovens)	C
1750501	Door Catch	C
1966501	Door Seal RT Silicon	C
1966502	Door Seal Top/Bottom Silicon	C
4513157	Fuse - 10 Amp 600V Time Delay	C
4520416	High Limit 135 Degree F	C
9006402	Switch-Mini Snap Hi-Temp 15 Amp	C
9006800	RTD - Temperature Probe	C

C = CRITICAL PARTS

R = RECOMMENDED STOCK PARTS

LIST OF HARNESES & WIRING DIAGRAM

PART #	DESCRIPTION
300826	Element Harness - from Contactor to Elements on 5.0kW MCO-E-5-C Models
300842	Element Harness - from Contactor to Elements on 7.5kW MCO-E-5-C Models
1804741	Harness - Control Panel
1804747	Door Switch (Micro-Switch) Harness - from Door Switch to Control Panel
300887	Main Wiring Harness - from Control Panel Harness to Motor / Terminal Block / Contactor
300825	Contactors Harness - from Terminal Block to Contactor
CK300827	Wiring Harness Kit Note: Kit includes parts 1804741, 1804747, 300887, 300825.
300823	Wiring Diagram MCO-E-5-C - IM200 208/240V 60Hz 2SP

GARLAND PARTS IDENTIFICATION

RELATED BULLETINS

CATEGORY	BULLETIN#	SUBJECT	DATE
Parts, Technical	GAR-03-12-AIC	Master 200 Series Controller (Od P/N 1955501; New P/N 300867)	2012-02-08
Parts, Technical	GAR_SB_0040	Garland Part 300867 PCB Temperature Controller	2016-11-04
Parts, Technical	GAR_SB_0044	Updates! New Garland Part 300867 PCB Temperature Controller (Identifying new vs old parts)	2016-12-06
Parts, Technical	GAR_SB_0049	New Timer Kits for Convection Ovens with Master 200 / Manual Controllers, Kits CK11000301070 and CK11000301072	2017-02-14
Warranty	GAR_SB_0047	Returning Warranty Required Parts (supersedes GAR-20-13-A)	2016-12-21

ACCESSORIES: HEAT SHIELD KIT (PLEASE CONTACT SALES DEPARTMENT FOR INFO)
--

ITEM#	DESCRIPTION
A4602982	ACCESSORY - HEAT SHIELD HALF SIZE CO