



Wine dispenser

F-30SS

Festiva Collection



Great Design!

4 bottles, built-in installation,
2 independent temperature
zones, requires an argon
cylinder



Order now!

orders@cavavin.com



F-30SS

WINE DISPENSER

4 BOTTLES



SPECIFICATIONS

- Capacity up to 4 bottles (750 ml)
- Built-in installation (Flush or Proud mount)
- Anti-UV glass door (drawer) with stainless steel frame, and black cabinet
- 2 temperature zones that ranges from 5-22°C (41-72°F), for red & white wines, and that can be set independently
- One-touch **LED** digital control panel and temperature display
- Low emissivity lighting **LED** with switch ON/OFF
- Free dosage with a soft touch of the buttons
- Useful built-in handle for opening the door (drawer) to position the bottles inside
- Wine drip tank easy to clean
- Automatic pressurization of the bottles with argon gas
- 1 Liter Argon cylinder preserves up to 150 bottles of 750ml
- Quiet compressor (42 dB)
- Superior energy efficiency and environmentally friendly (Refrigerant gas R-600a)
- CE/ETL approved



2 years **WARRANTY**

PARTS + LABOR COMPRESSOR



SERVICE CELLARS



CAPACITY

Up to 4 bottles



NUMBER OF TEMPERATURE ZONES

2



TEMPERATURE

5-22 °C
41-72 °F



DECIBELS

42 dB



ARGON CYLINDER

1.08 L
15 Mpa
Ø 3.50"
H 13.58"



DIMENSIONS

W 23.50"
D 14.96"
H 25.07"
See back for installation



WEIGHT

97 lbs



SHIPPING WEIGHT

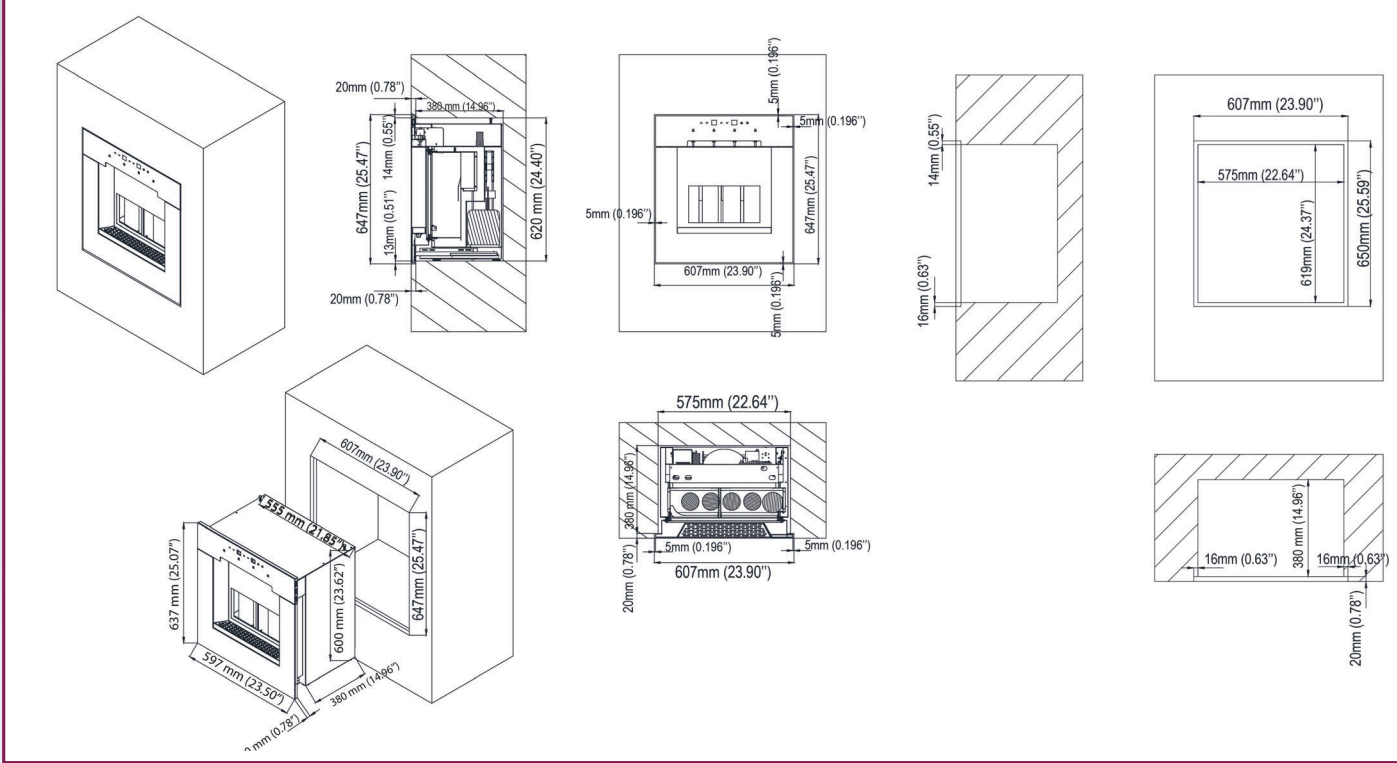
100.5 lbs



SHIPPING DIMENSIONS

W 27.56"
D 18.90"
H 29.13"

FLUSH MOUNTING INSTALLATION



PROUD MOUNTING INSTALLATION

