



# VERSACHILL

## CWDW2-48VC

COOLER 2DW 1DR WORKTOP S/S 48in

**WARRANTY:**  
TWO YEAR PARTS AND  
LABOUR; FIVE YEARS ON  
COMPRESSOR

SPECIFICATIONS SUBJECT TO  
CHANGE WITHOUT NOTICE.



### CWDW2-48VC

#### 48 INCH 2 DRAWER 1 DOOR REFRIGERATION WORKTOP

- Heavy-gauge Stainless Steel exterior finish
- Clear coated Aluminum Liner
- Adjustable Heavy-Duty Epoxy-coated shelves
- Locking doors and drawers w/ magnetic gaskets
- Positive Seal self-closing doors w/ stay open feature
- Countertop style work space with backsplash
- Brilliant Interior LED lighting

- Sophisticated Digital Controller to ensure a steady temp range from 33 to 40°F (0 to 4°C)
- Automatic defrost system that evaporates defrost water
- Environmentally friendly R290 hydrocarbon refrigerant
- Has temperature preservation & reduces energy consumption design
- Evaporator fan motor conserves energy when door is open
- Inner bottom has round corners for easy cleaning w/ removable gaskets
- Standard EFI Warranty for Refrigeration and freezer units.

ADDITIONAL IMAGES



DIGITAL  
CONTROLLER



INSERT PANS  
INCLUDED



ADJUSTABLE  
SHELF



2" CASTERS



DOOR LOCKS

MODEL DESIGNATIONS

ADDITIONAL RESOURCES



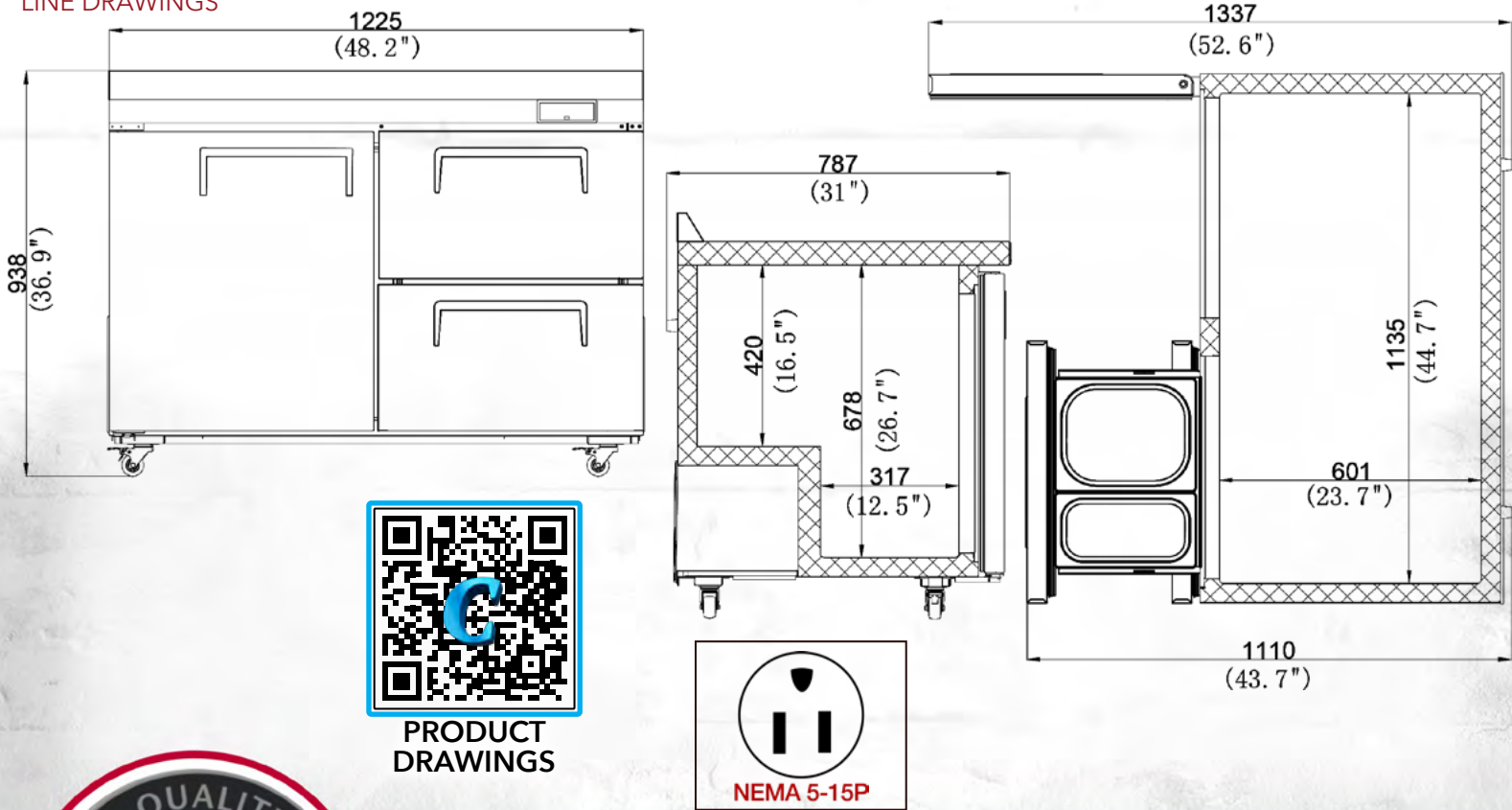
DIMENSIONS

Dimensions	Width		Depth		Height		Weight	
	Inches	mm	Inches	mm	Inches	mm	Lbs	KG
Exterior	48.2	1,225.0	31.0	787.0	36.9	938.0	197.7	89.7
Shipping	50.0	1,272.0	31.9	810.0	43.2	1,096.0	259.5	117.7
Interior	44.7	1,135.0	23.7	601.0	26.7	678.0		

TECHNICAL

Pans	Capacity	Doors	Doors	Shelves	Casters	HP	Amps	Voltage	Refrig	Plug	Cord len
4	313/11	1	2	1	2"	1/6	1.7	115	R290	NEMA5-15P	≥1.8m

LINE DRAWINGS



EFI Sales Ltd.  
 Toronto Office & DC  
 515 Hanlon Creek Blvd.  
 Guelph, ON, N1C 0A1

EFI Sales Ltd.  
 Vancouver Office & DC  
 26895 Gloucester Way  
 Langley, BC, V4W 3Y3

(888) 565-9920 Toll Free  
 (519) 822-1895 Toronto  
 (604) 607-8850 Vancouver