

## Ultra Camtainers®

### For Hot and Cold Beverages

**Models:** UC250 2¾ gallon (10,4 L)  
 UC500 5¼ gallon (19,9 L)  
 UC1000 10½ gallon (39,7 L)



#### Features & Benefits

- Attractive sleek look is perfect for front-of-the-house hot and cold beverage service. Stacks easily for storage and transportation and will also stack with Camtainer® Insulated Containers.
- Serving capacity:  
 Model UC250 - 50 each 7 oz. (210 mL) cups  
 Model UC500 - 96 each 7 oz. (210 mL) cups  
 Model UC1000 - 192 each 7 oz. (210 mL) cups
- Single-molded, seamless, double-wall, high-density, polyethylene construction is highly durable, dishwasher safe, and resists dings and dents. Textured exterior is scratch-resistant.
- Polyurethane foam insulation provides excellent hot or cold temperature retention for hours. Hot beverages remain hot without the need for a costly external heating source.
- E-Z grip molded-in handles offer comfortable, easy transporting.
- Nylon over-center latch design ensures easy opening and closing and helps to maintain maximum temperature retention.
- Drip proof recessed large spigot allows for convenient access and accommodates large drinking vessels. Optional Easy-Serve Dispenser lever makes dispensing a snap.
- Pop-up vent helps to equalize pressure and release steam.
- Self-adhesive beverage labels included for quick identification of contents.
- Optional Condiment Holders and Risers fit all models.
- Optional Camdollies® offer easy transporting.
- Non-electrical.
- No assembly required.
- Available in 10 colors.

Item No. \_\_\_\_\_

Specifier Identification No. \_\_\_\_\_

Model No. \_\_\_\_\_

Quantity \_\_\_\_\_

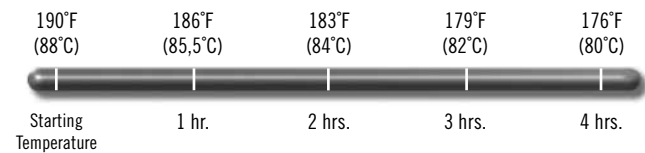


Dispensing becomes as easy as pressing a cup against the optional Easy Serve Dispenser under spout.

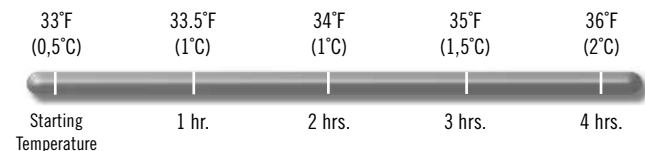


Large opening accommodates wide drinking vessels. Recessed faucet is positioned to handle larger cups.

#### HOT



#### COLD



#### Approvals



# Ultra Camtainers®

## For Hot and Cold Beverages

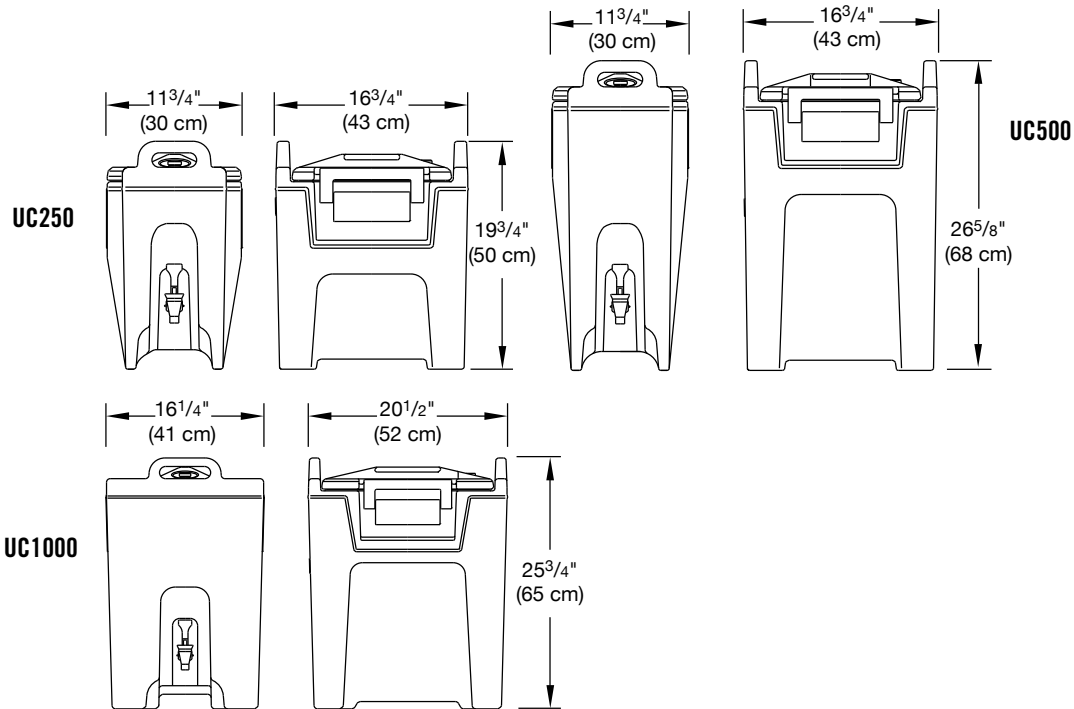
Models: UC250 2¾ gallon (10,4 L)  
 UC500 5¼ gallon (19,9 L)  
 UC1000 10½ gallon (39,7 L)

Item No. \_\_\_\_\_

Specifier Identification No. \_\_\_\_\_

Model No. \_\_\_\_\_

Quantity \_\_\_\_\_



### Specifications

Dimension Tolerance: +/- ¼" (0,64 cm)

| Code   | Description     | Total Capacity      | Serving Capacity<br>7 oz. (210 mL) cups | Dimensions<br>W x D x H                 | Case lbs./cube<br>Kg/m³   |
|--------|-----------------|---------------------|---|---|---------------------------|
| UC250  | Ultra Camtainer | 2¾ gallon (10,4 L)  | 50                                      | 11¼" x 16¾" x 19¾"<br>(30 x 43 x 50 cm) | 17 (2,48)<br>7,7 (0,069)  |
| UC500  | Ultra Camtainer | 5¼ gallon (19,9 L)  | 96                                      | 11¼" x 16¾" x 26⅝"<br>(30 x 43 x 68 cm) | 21 (3,25)<br>9,5 (0,09)   |
| UC1000 | Ultra Camtainer | 10½ gallon (39,7 L) | 192                                     | 16¼" x 20½" x 25¾"<br>(41 x 52 x 65 cm) | 31 (4,21)<br>14,1 (0,118) |

### Optional Accessories

- Easy Serve Dispenser**  LCDES – Black (110)
- Riser**  R500LCD fits UC250 & UC500  
 R1000LCD fits UC1000
- Condiment Holder**  LCDCH fits UC250 & UC500  
 LCDCH10 fits UC1000
- Camdolly®**  CD100  CD100H fits UC250 & UC500  
 CD100HB fits UC250 & UC500  
 CD300  CD100H fits UC1000  
 CD300HB fits UC1000

### Standard Colors

- Navy Blue (186)
- Slate Blue (401)
- Coffee Beige (157)
- Dark Brown (131)
- Brick Red (402)
- Green (519)
- Black (110)
- Granite Gray (191)
- Granite Green (192)
- Granite Sand (194)

### Architect Specs

The portable non-electrical hot and cold beverage container/server shall be an Ultra Camtainer, Models ..., manufactured by Cambro Mfg. Co., Huntington Beach, CA 92647 U.S.A. It shall be made of one-piece, seamless, double-wall, high-density polyethylene and foam-injected polyurethane. It shall have a pop-up vent to help equalize pressure and release steam. It shall have durable, nylon over-center latches. It shall have E-Z grip molded-in handles. It shall have a drip proof, recessed serving spigot designed with easy finger adjustment. It shall have the option of an Easy Serve Dispenser lever. It shall have self-adhesive beverage labels to use for quick product identification. It shall have an optional Condiment Holder and Riser. It shall require no assembly and shall be available in 10 colors.

### Approvals



© Cambro Manufacturing Company 5801 Skylab Road, Huntington Beach, CA 92647-2056, U.S.A.  
 Telephone 714 848 1555 Toll Free 800 854 7631 Customer Service Department 800 833 3003