



VERSACHILL

CPDR1-44VC-L

COOLER 1DR PIZZA PREP S/S LH 44in



WARRANTY:
TWO YEAR PARTS AND
LABOUR; FIVE YEARS ON
COMPRESSOR
SPECIFICATIONS SUBJECT TO
CHANGE WITHOUT NOTICE.



CPDR1-44VC-L

44 INCH 1 DOOR REFRIGERATED PIZZA PREP TABLE LEFT HINGE

- Heavy-gauge Stainless Steel exterior finish
- Clear coated Aluminum Liner
- Adjustable Heavy-Duty Epoxy-coated shelves
- Casters for easy movement
- Locking doors and drawers w/ magnetic gaskets
- Pan inserts included with a cutting board, NSF certified
- Positive Seal self-closing doors w/stay open feature

- Sophisticated Digital Controller to ensure a steady temp range from 33 to 40°F (0 to 4°C)
- Automatic defrost system that evaporates defrost water
- Environmentally friendly R290 hydrocarbon refrigerant
- Has temperature preservation & reduces energy consumption design
- Evaporator fan motor conserves energy when door is open
- Inner bottom has round corners for easy cleaning w/ removable door gaskets
- Standard EFI Warranty for Refrigeration and freezer units.

ADDITIONAL IMAGES



DIGITAL CONTROLLER



POLY CUTTING BOARD



INSERT PANS INCLUDED



3" TREADED CASTERS



DOOR LOCKS

MODEL DESIGNATIONS

ADDITIONAL RESOURCES



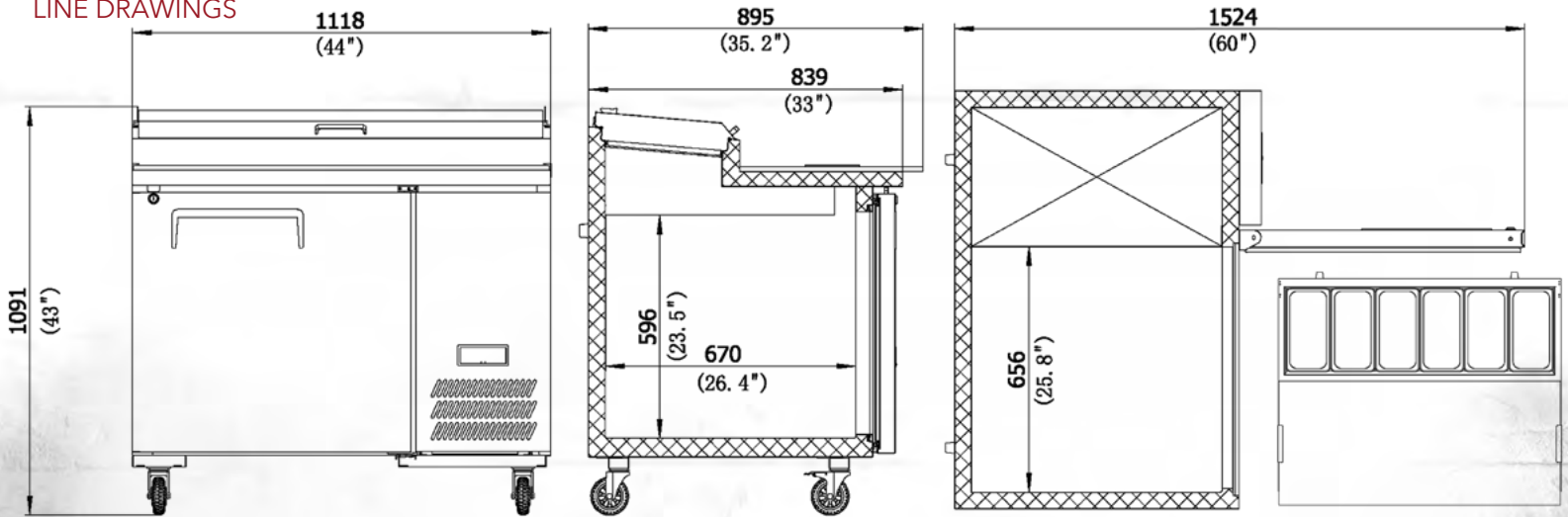
DIMENSIONS

Dimensions	Width		Depth		Height		Weight	
	Inches	mm	Inches	mm	Inches	mm	Lbs	KG
Exterior	44.0	1,118.0	34.0	865.0	43.0	1,091.0	195.1	88.5
Shipping	46.0	1,168.0	35.5	901.0	46.9	1,190.0	284.5	129.0
Interior	25.8	656.0	26.4	670.0	23.5	596.0		

TECHNICAL

Pans	Capacity	Doors	Shelves	Casters	HP	Amps	Voltage	Refrig	Plug	Cord len
6	305/10.8	1	1	4"	1/5	3.0	115	R290	5-15P	≥1.8m

LINE DRAWINGS



PRODUCT DRAWINGS



SPECIFICATION SUBJECT TO CHANGE WITHOUT NOTICE

EFI Sales Ltd.
 Toronto Office & DC
 515 Hanlon Creek Blvd.
 Guelph, ON, N1C 0A1

EFI Sales Ltd.
 Vancouver Office & DC
 26895 Gloucester Way
 Langley, BC, V4W 3Y3

(888) 565-9920 Toll Free
 (519) 822-1895 Toronto
 (604) 607-8850 Vancouver

