

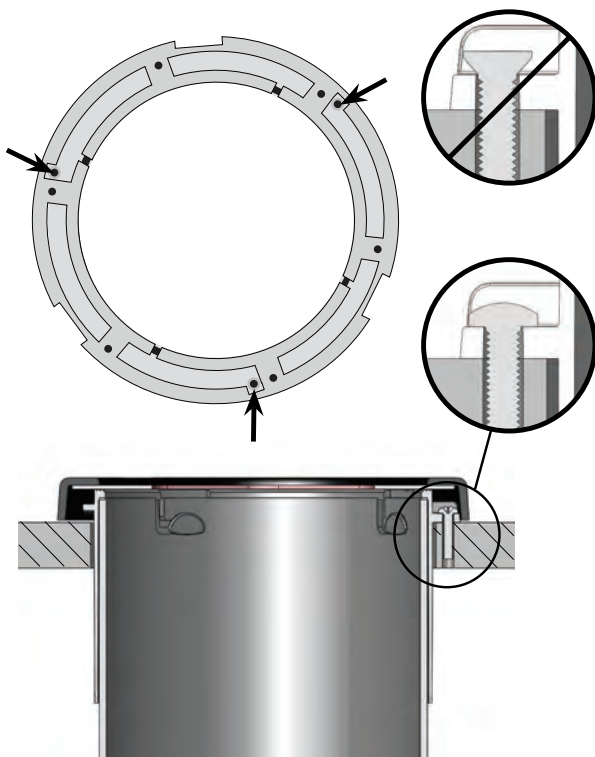
C2010C EZ-FIT® PORTION CUP DISPENSER INSTALLATION INSTRUCTIONS

1. CUT HOLE IN COUNTER SURFACE



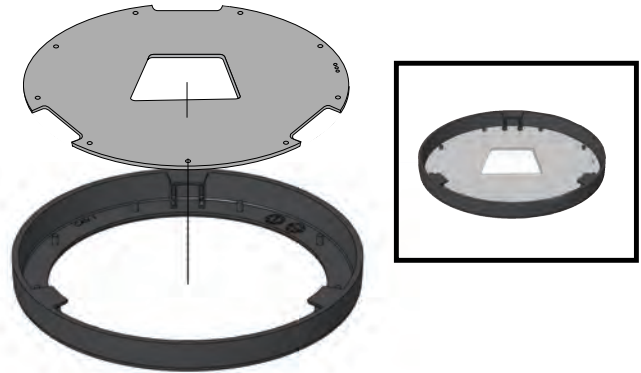
2. REMOVE TRIM RING TURNING COUNTER CLOCKWISE

3. SECURE CUP DISPENSER TO COUNTER WITH SUPPLIED SCREWS (#6 screws)



4. SELECT PROPER SIZE GASKET FOR CUP (SEE TABLE ON BACK)

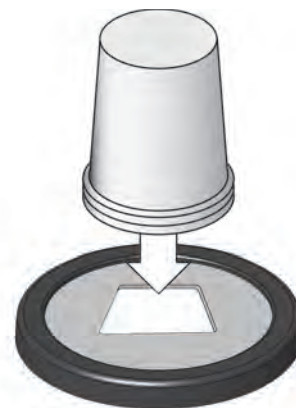
5. INSTALL GASKET OVER POSTS IN UNDERSIDE OF RING



6. REPLACE COVER RING WITH GASKET BY TURNING CLOCKWISE OVER MOUNTING RING UNTIL SECURE



7. LOAD CUPS THROUGH GASKET



REPLACEMENT PARTS & ACCESSORIES

C2011BK Black Mounting Ring
C2016BK Black Trim Ring

C2012B Spring End Cap
C2013GY

C3026GY Cup Pusher
XC2023S Small Gasket

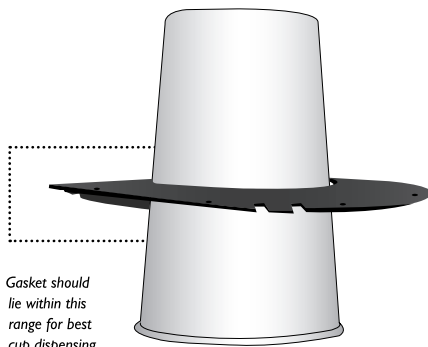
XC2023M Medium Gasket
XC2023L Large Gasket

XC2023XL Extra Large Gasket

GASKET SIZING GUIDE

Approximate Cup Rim Diameter		Approximate Cup Size Range	Gasket Size	REPLACEMENT GASKET KITS	
minimum	maximum			Part Numbers	Quantity of Gaskets in Kit
1 1/2" (38 mm)	1 5/8" (121 mm)	3/4 oz (22 mL)	SMALL	XC2023S	3
1 11/16" (43 mm)	1 15/16" (49 mm)	1 oz (30 mL) to 1 1/4 oz (37 mL)	MEDIUM	XC2023M	3
1 15/16" (49 mm)	2 1/8" (54 mm)	1 1/4 oz (37 mL) to 2 oz (59 mL)	LARGE	XC2023L	3
2 5/16" (59 mm)	2 7/16" (62 mm)	2 oz (59 mL) to 2 1/2 oz (74 mL)	EXTRA LARGE	XC2023XL	3
				XC2022 One each-Small, Medium, Large, Extra Large	4

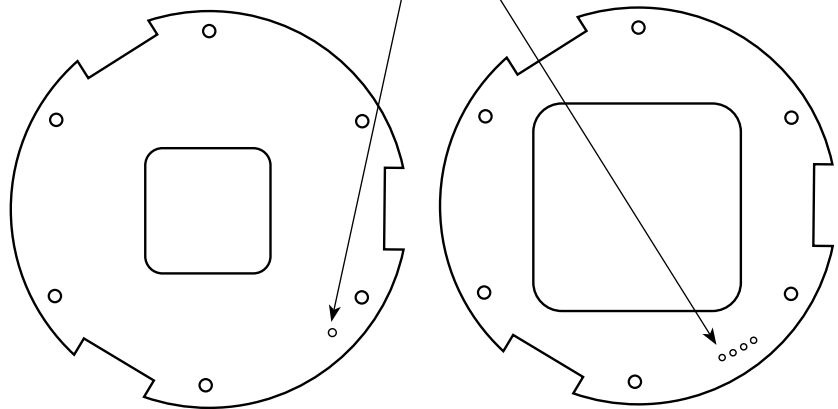
HOW TO DETERMINE WHICH GASKET TO USE



Gasket should lie within this range for best cup dispensing performance.

1. Turn cup upside down.
2. Affix gasket over cup. Gasket should rest about 2/3 of the way down from rim of cup.
3. When gasket fits appropriately, this indicates the correct gasket size to use.

SMALL GROUPING OF HOLES ON EDGE INDICATE GASKET SIZE (SEE CHART)



# OF HOLES	GASKET SIZE	PART #
°	SMALL	XC2023S
° °	MEDIUM	XC2023M
° ° °	LARGE	XC2023L
° ° ° °	EXTRA LARGE	XC2023XL

San Jamar
555 Koopman Lane
Elkhorn, Wisconsin 53121
USA
T: +1.262.723.6133
F: +1.262.723.4204
info@sanjamar.com
www.sanjamar.com

Canada
15252 32nd Avenue
Suite 309
Surrey, BC V3S 0R7
CANADA
T: +1.262.723.6133
F: +1.262.723.4204
canada@sanjamar.com

Europe
Schoorstraat 26a, bus 1
2220 Heist op-den Berg
BELGIUM
T: +32 1522 8140
F: +32 1522 8148
emea@sanjamar.com

México
Av. Universidad #1377-701
Colonia Axotla CP 01030
Del. Alvaro Obregón
MEXICO, D.F.
T: +52 (55) 3626 0772
F: +52 (55) 5273 4495
mexico@sanjamar.com



C2019B_RevD