



# HOSHIZAKI

Parts Manual

Back Bar Equipment

Models

BB 59

BB 69

BB 80

BB 95

BB G 59

BB G 69

BB G 80

BB G 95

BB 59 S

BB 69 S

BB 80 S

BB 95 S

BB G 59 S

BB G 69 S

BB G 80 S

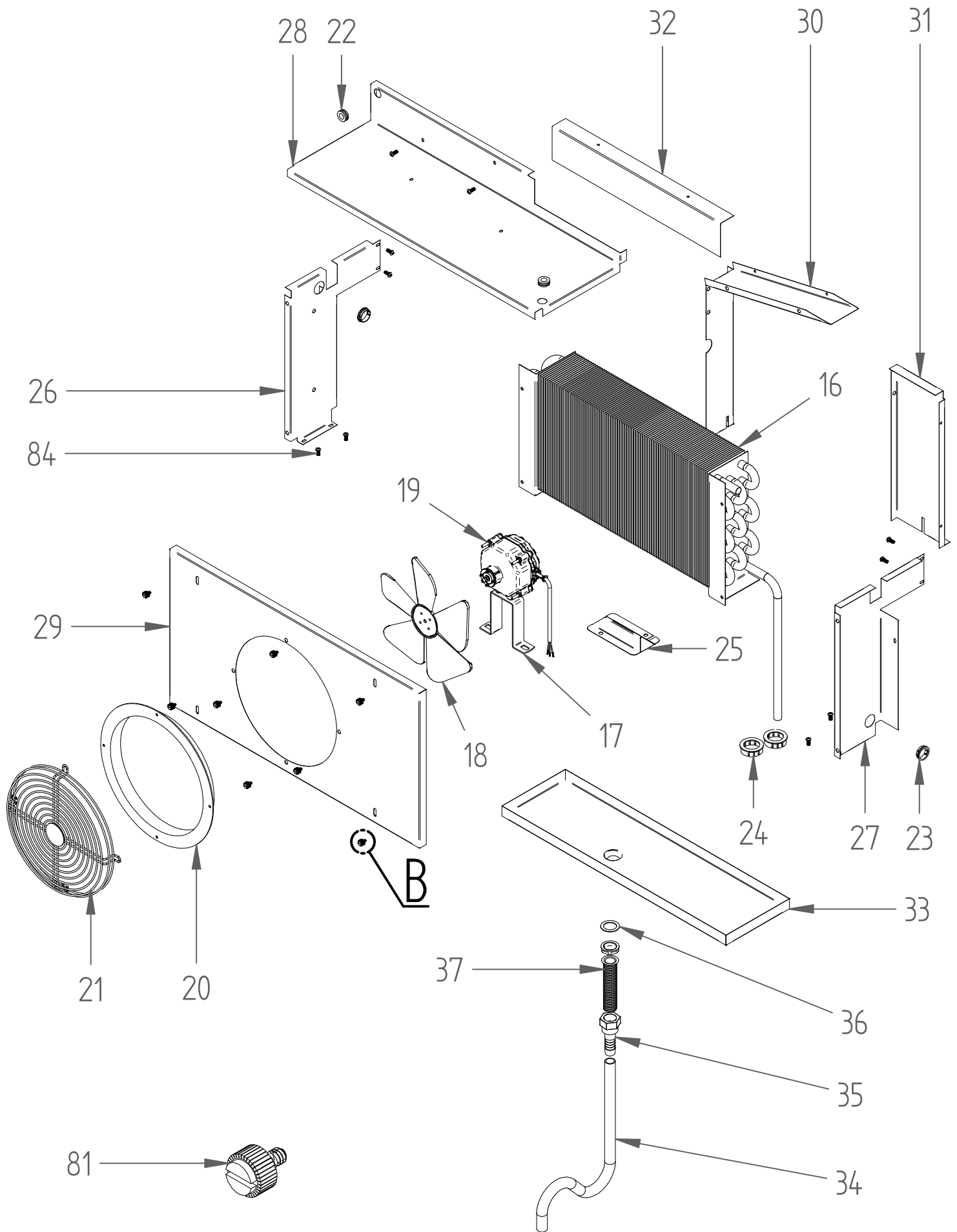
BB G 95 S



ZONA/ZONE	CONDENSING UNIT	LAMINA/DRAWING	2	BB 59_95 HC
-----------	-----------------	----------------	---	-------------

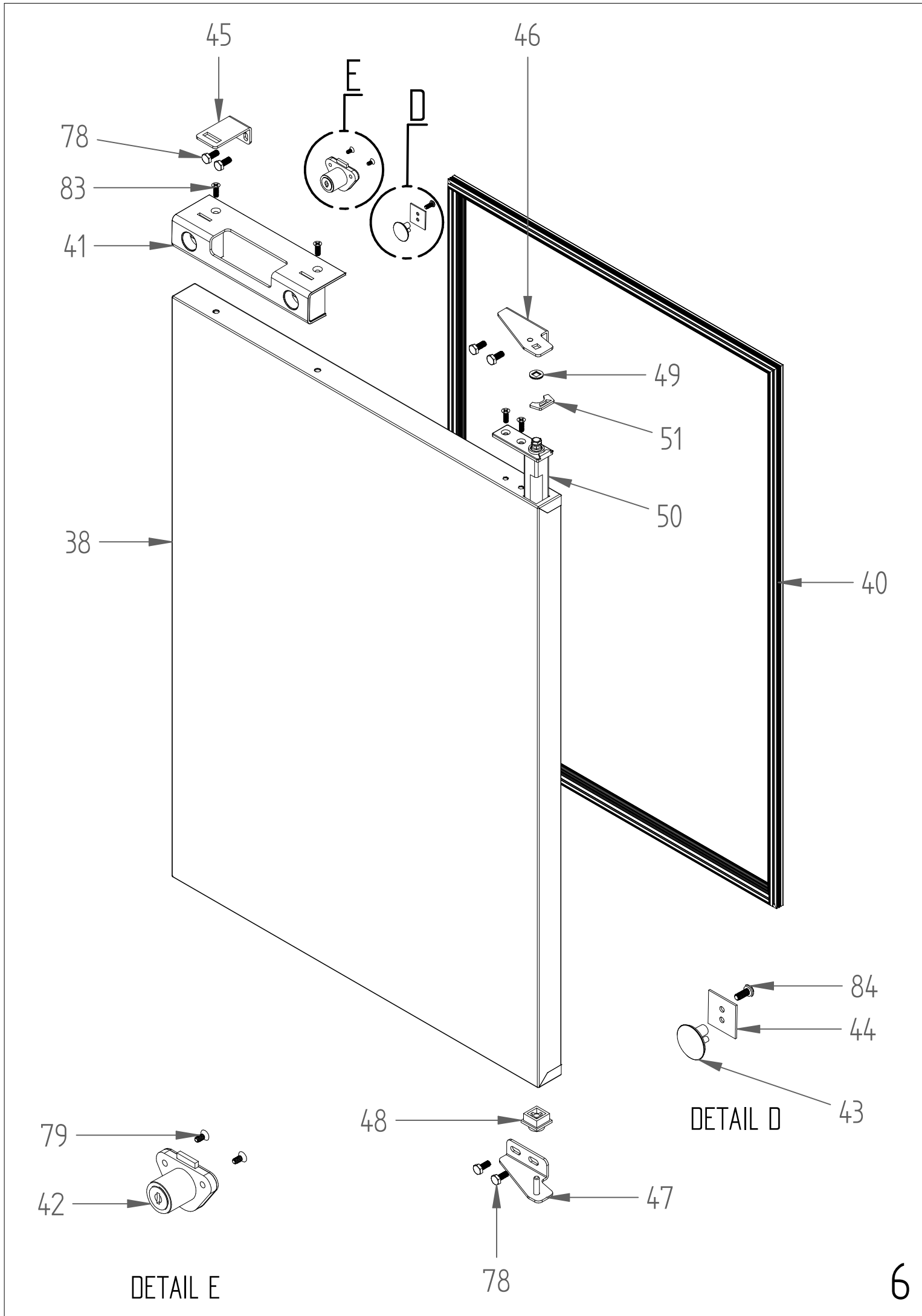
ITEM	REFERENCIA REFERENCE	DENOMINATION					G				S				GS				RECOMENDED	ELIMINADO ELIMINATED	INTRODUCIDO INTRODUCED	NOTAS / NOTES
			BB59	BB 69	BB 80	BB 95	BB G 59	BB G 69	BB G 80	BB G 95	BB 59 S	BB 69 S	BB 80 S	BB 95 S	BB G 59 S	BB G 69 S	BB G 80 S	BB G 95 S				

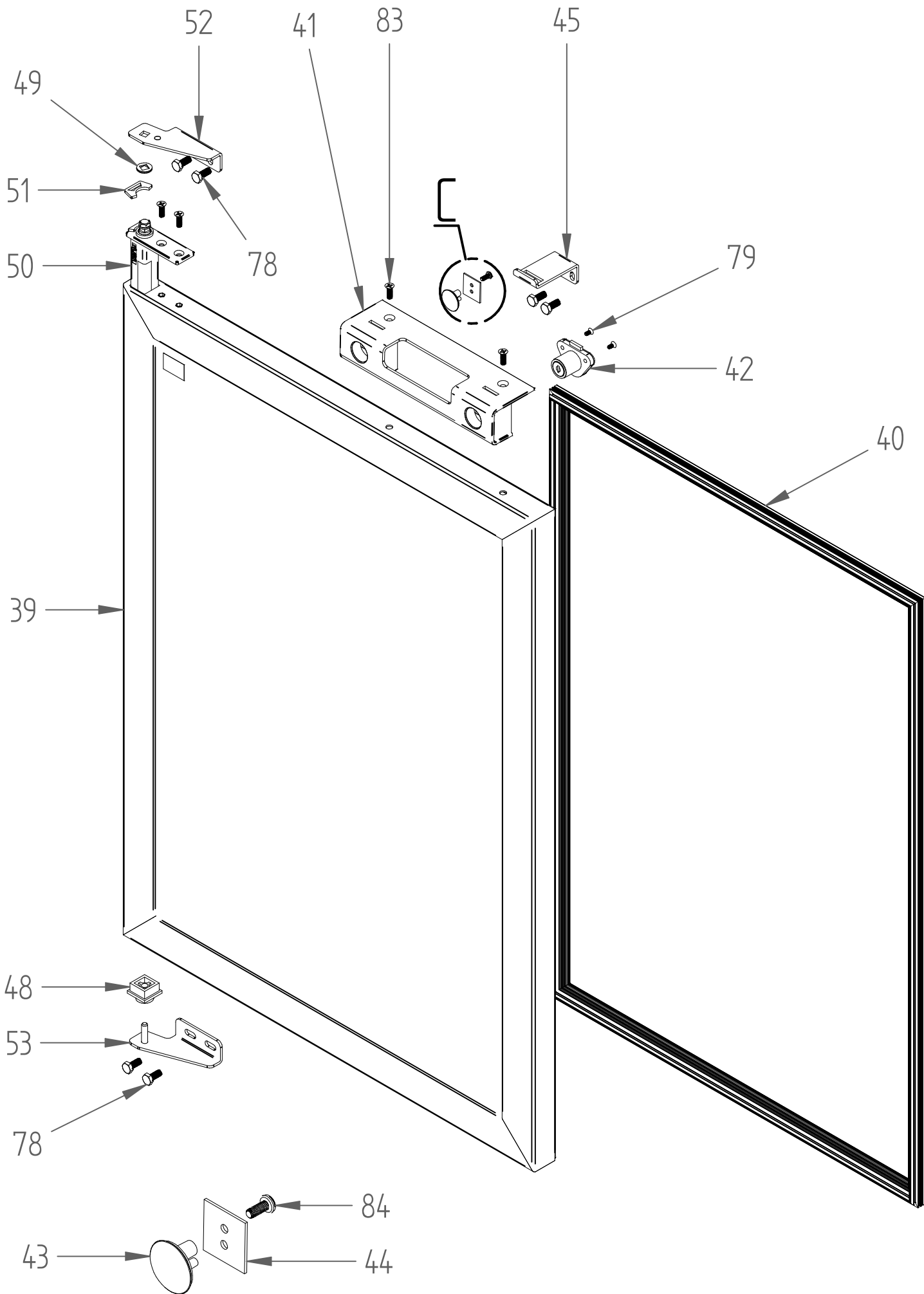
CONDENSING UNIT																				
1	12195862	DECK	1	1	1	1	1	1	1	1	1	1	1	1	1	1	1	1	1	
	12257407	COMPRESSOR 115V	1	1	1	1	1	1	1	1	1	1	1	1	1	1	1	1	1	
2	12256474	COMPRESSOR 115V																	X	
	12228006	COMPRESSOR 115V																		10/02/2020 23/01/2020
3	*	START KIT	-	-	-	-	-	-	-	-	-	-	-	-	-	-	-	-		
4	12190812	CONDENSER	1	1	1	1	1	1	1	1	1	1	1	1	1	1	1	1		
5	12188004	FILTER	1	1	1	1	1	1	1	1	1	1	1	1	1	1	1	1		
6	12189983	FAN SUPPORT	1	1	1	1	1	1	1	1	1	1	1	1	1	1	1	1		
7	12190510	ELECTRONIC MOTOR	1	1	1	1	1	1	1	1	1	1	1	1	1	1	1	1	X	
8	12190018	FAN BLADE	1	1	1	1	1	1	1	1	1	1	1	1	1	1	1	1		
9	12190608	POWER CORD	1	1	1	1	1	1	1	1	1	1	1	1	1	1	1	1		
10	12037369	SCHRADER VALVE	1	1	1	1	1	1	1	1	1	1	1	1	1	1	1	1		
11	12190610	POWER CORD(SPIDER HUB)	1	1	1	1	1	1	1	1	1	1	1	1	1	1	1	1		
12	12189560	EVAPORATION TRAY	1	1	1	1	1	1	1	1	1	1	1	1	1	1	1	1		
13	12239998	EXCHANGE	1	1	1	1	1	1	1	1	1	1	1	1	1	1	1	1		
14	12200322	DISCHARGE LINE	1	1	1	1	1	1	1	1	1	1	1	1	1	1	1	1		
15	11002866	CAP TUBE	1.4	1.4	1.4	1.4	1.4	1.4	1.4	1.4	1.4	1.4	1.4	1.4	1.4	1.4	1.4	1.4		



DETAIL B





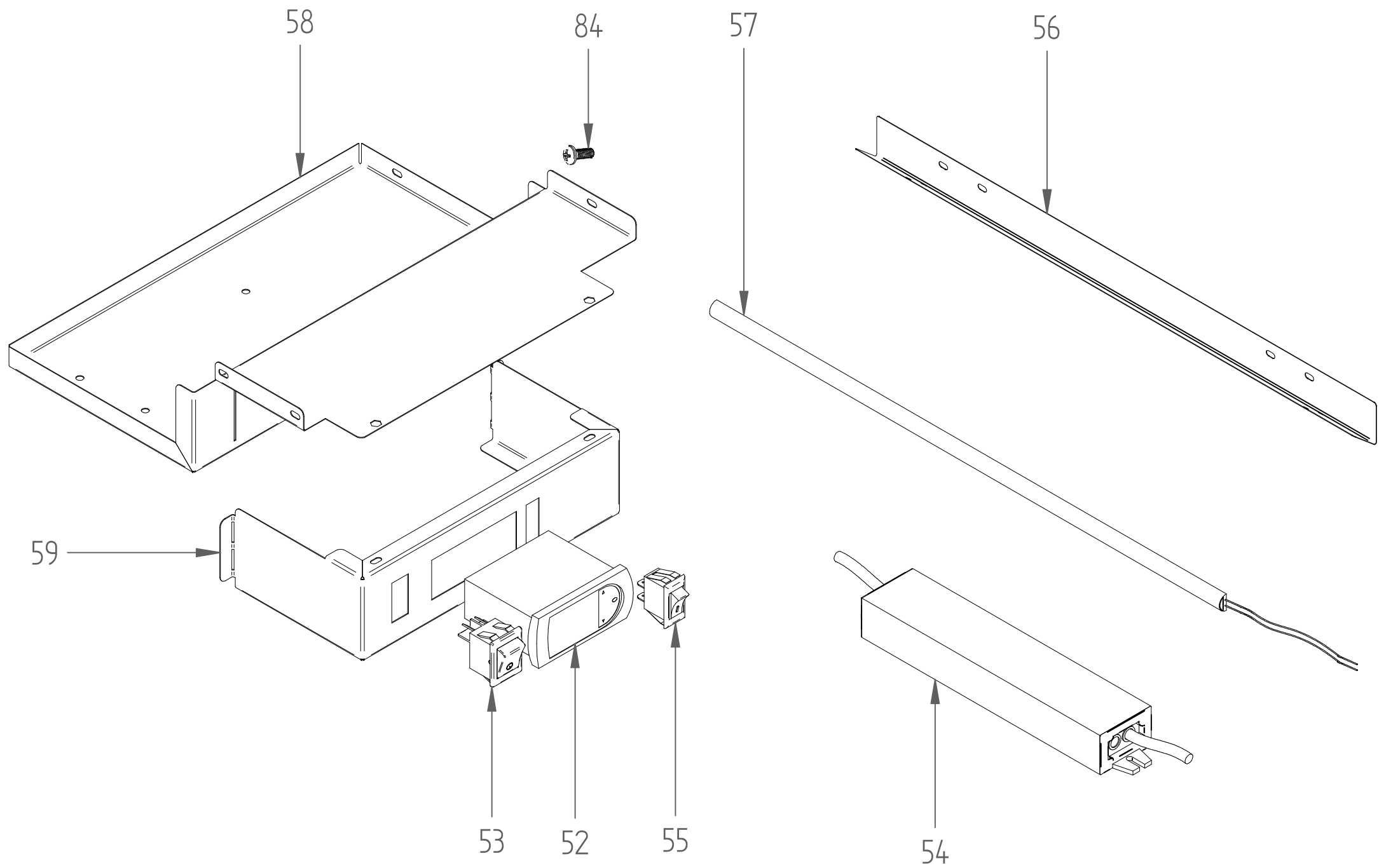


DETAIL C

ITEM	REFERENCIA REFERENCE	DENOMINATION					G				S				GS				RECOMENDED	ELIMINADO ELIMINATED	INTRODUCIDO INTRODUCED	NOTAS / NOTES
			BB59	BB 69	BB 80	BB 95	BB G 59	BB G 69	BB G 80	BB G 95	BB 59 S	BB 69 S	BB 80 S	BB 95 S	BB G 59 S	BB G 69 S	BB G 80 S	BB G 95 S				

DOORS & OTHERS																				
38	12201946	DOOR KIT	2	2	2	3														
	12210337	DOOR KIT 80			1															
	12217136	GLASS DOOR KIT RH					2	1	2	2										
39	12217137	GLASS DOOR KIT LH						1		1										
	12203181	GLASS DOOR KIT 80								1										
	12232946	SS DOOR LH									2	2	2	3						
38	12210339	SS DOOR KIT 80											1							
	12203179	SS GLASS DOOR KIT RH												1	1	2	2			
39	12203180	SS GLASS DOOR KIT LH												1	1		1			
	12203182	SS GLASS DOOR KIT 80														1				
	12191258	GASKET	2	2	2	3	2	1	2	2	2	2	3	1	1	2	2	X		
40	12191259	GASKET 78			1								1			1		X		
		HANDLE KIT LEFT/RIGHT																		
41	12211931	RIGHT HANDLE	2	2	3	3	2	2	3	3	2	2	2	3	2	2	3	3		
42	12190887	LOCK	2	2	3	3	2	2	3	3	2	2	2	3	2	2	3	3		
43	12211932	PLATE	2	2	3	3	2	2	3	3	2	2	2	3	2	2	3	3		
44	12195809	SUPPORT PLATE	2	2	3	3	2	2	3	3	2	2	2	3	2	2	3	3		
45	12195087	LOCK STOP	2	2	3	3	2	2	3	3	2	2	2	3	2	2	3	3		
		HINGE KIT RH																	X	
46	12191308	TOP HINGE	1	1	2	2	1	1	2	2	1	1	2	2	1	1	2	2		
47	12191306	BOTTOM HINGE	1	1	2	2	1	1	2	2	1	1	2	2	1	1	2	2		
48	12190016	SPACER	1	1	2	2	1	1	2	2	1	1	2	2	1	1	2	2		
49	12195539	WASHER	2	2	4	4	2	2	4	4	2	2	4	4	2	2	4	4		
50	12195118	HINGE CARTRIDGE	1	1	2	2	1	1	2	2	1	1	2	2	1	1	2	2		
51	12195119	STOP HINGE	1	1	2	2	1	1	2	2	1	1	2	2	1	1	2	2		
		HINGE KIT LH																	X	
52	12191309	LEFT TOP HINGE	1	1	1	1	1	1	1	1	1	1	1	1	1	1	1	1		
53	12191307	LEFT BOTTOM HINGE	1	1	1	1	1	1	1	1	1	1	1	1	1	1	1	1		
48	12190016	SPACER	1	1	2	2	1	1	2	2	1	1	2	2	1	1	2	2		
49	12195539	WASHER	2	2	4	4	2	2	4	4	2	2	4	4	2	2	4	4		
50	12195118	HINGE CARTRIDGE	1	1	2	2	1	1	2	2	1	1	2	2	1	1	2	2		
51	12195119	STOP HINGE	1	1	2	2	1	1	2	2	1	1	2	2	1	1	2	2		

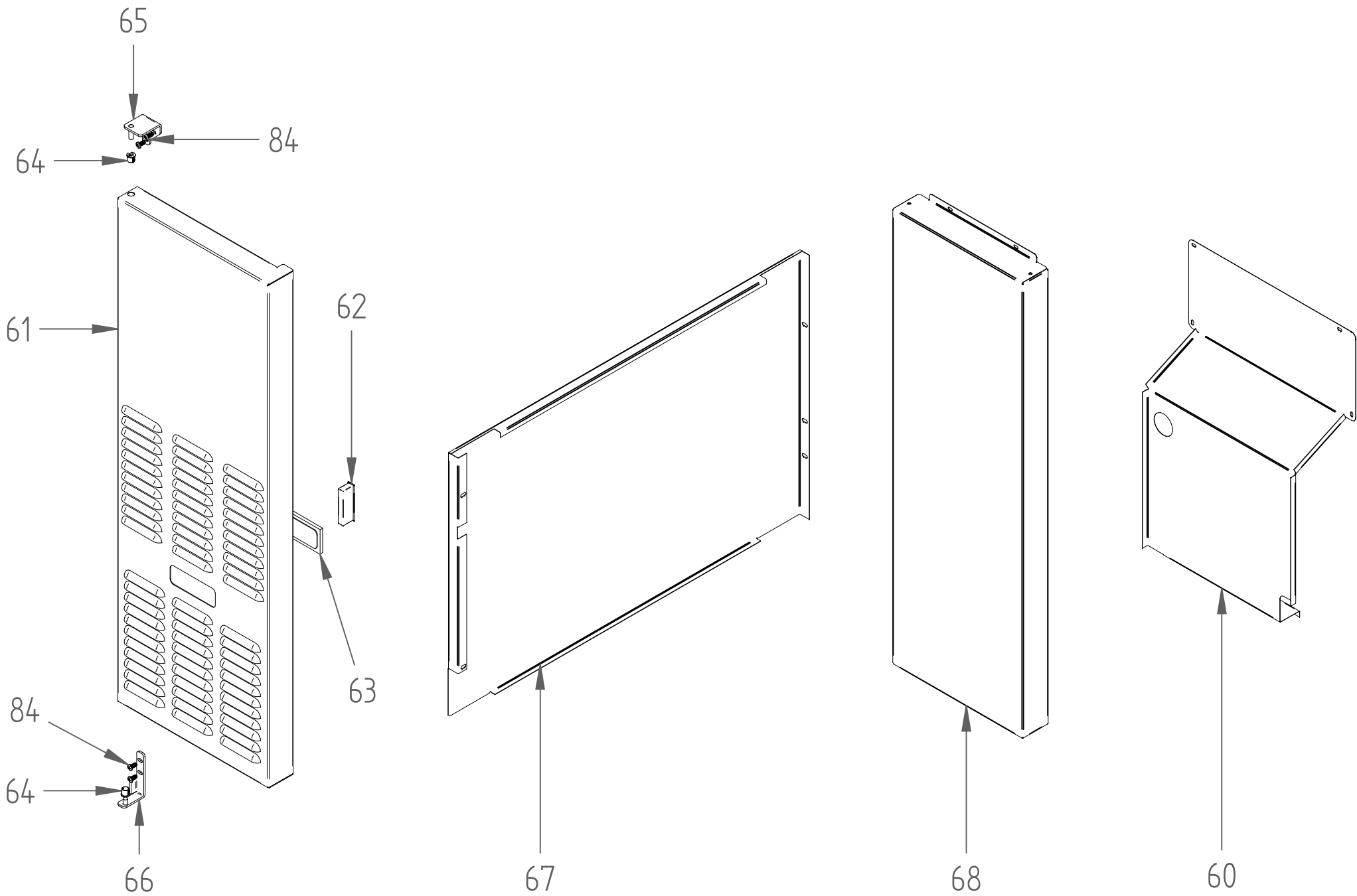




ZONA/ZONE	CONTROLLER & OTHER	LAMINA/DRAWING	9	BB 59_95 HC
-----------	--------------------	----------------	---	-------------

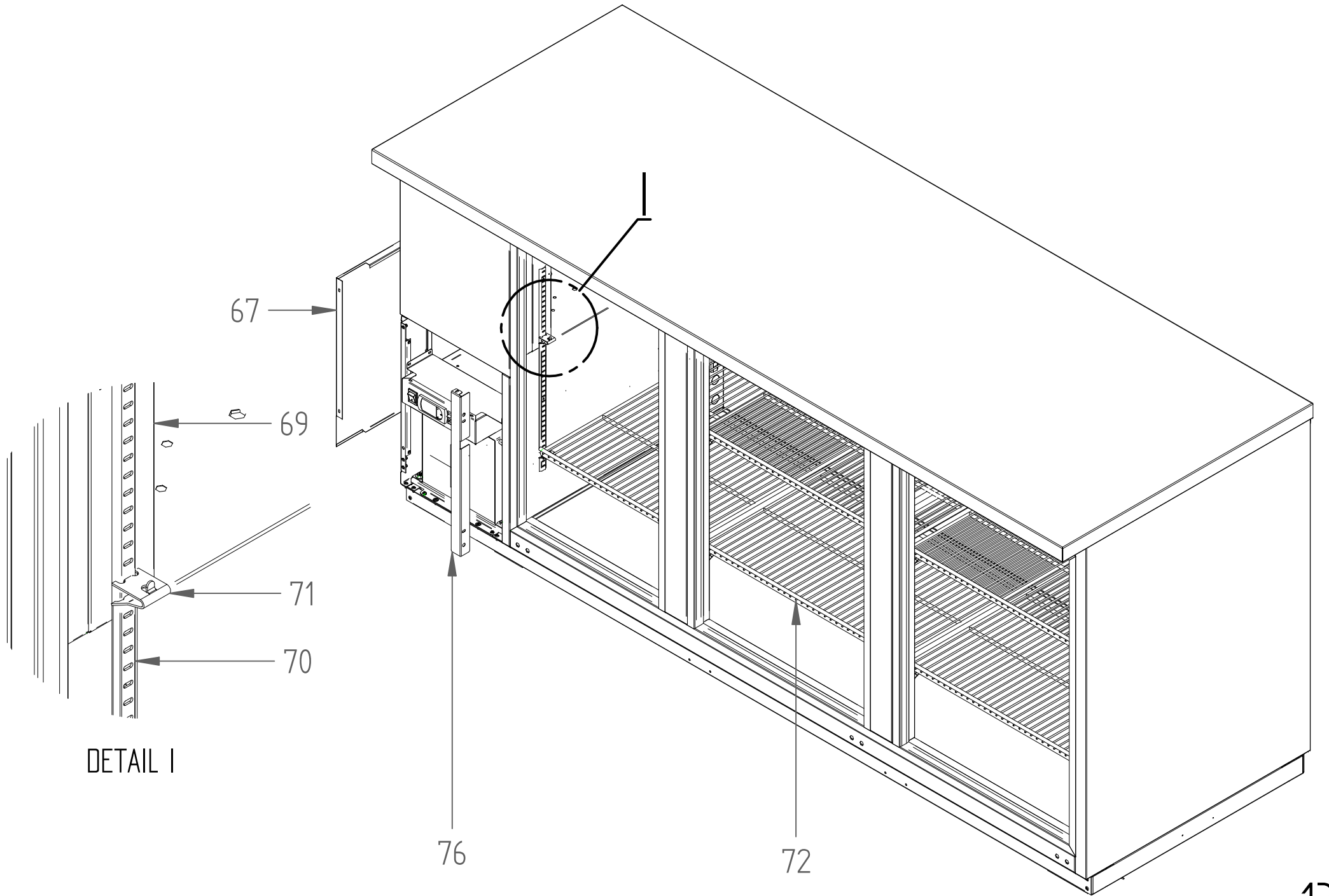
ITEM	REFERENCIA REFERENCE	DENOMINATION					G				S				GS				RECOMENDED	ELIMINADO ELIMINATED	INTRODUCIDO INTRODUCED	NOTAS / NOTES
			BB59	BB69	BB80	BB95	BBG 59	BBG 69	BBG 80	BBG 95	BB 59 S	BB 69 S	BB 80 S	BB 95 S	BBG 59 S	BBG 69 S	BBG 80 S	BBG 95 S				

CONTROLLER & OTHER																							
52	12188079	CAREL CONTROLLER	1	1	1	1	1	1	1	1	1	1	1	1	1	1	1	1	1	X			
53	12190513	ROCKER SWITCH 20AMP	1	1	1	1	1	1	1	1	1	1	1	1	1	1	1	1	1				
54	12190580	DRIVER LED	1	1	1	1	1	1	1	1	1	1	1	1	1	1	1	1	1				
55	12037353	LIGHT SWITCH	1	1	1	1	1	1	1	1	1	1	1	1	1	1	1	1	1				
56	12194279	LAMP SUPPORT	1	1			1	1				1	1			1	1						
	12194278	LAMP SUPPORT			1	1			1	1			1	1			1	1	X				
57	12190586	LED LIGHT	1	1			1	1				1	1			1	1		X				
	12190587	LED LIGHT			1	1			1	1			1	1			1	1					
58	12206592	CONTROLLER DEFLECTOR	1	1	1	1	1	1	1	1													
	12226884	CONTROLLER DEFLECTOR SS										1	1	1	1	1	1	1	1				
59	12206593	CONTROLLER SUPPORT	1	1	1	1	1	1	1														
	12226887	CONTROLLER SUPPORT SS										1	1	1	1	1	1	1	1				

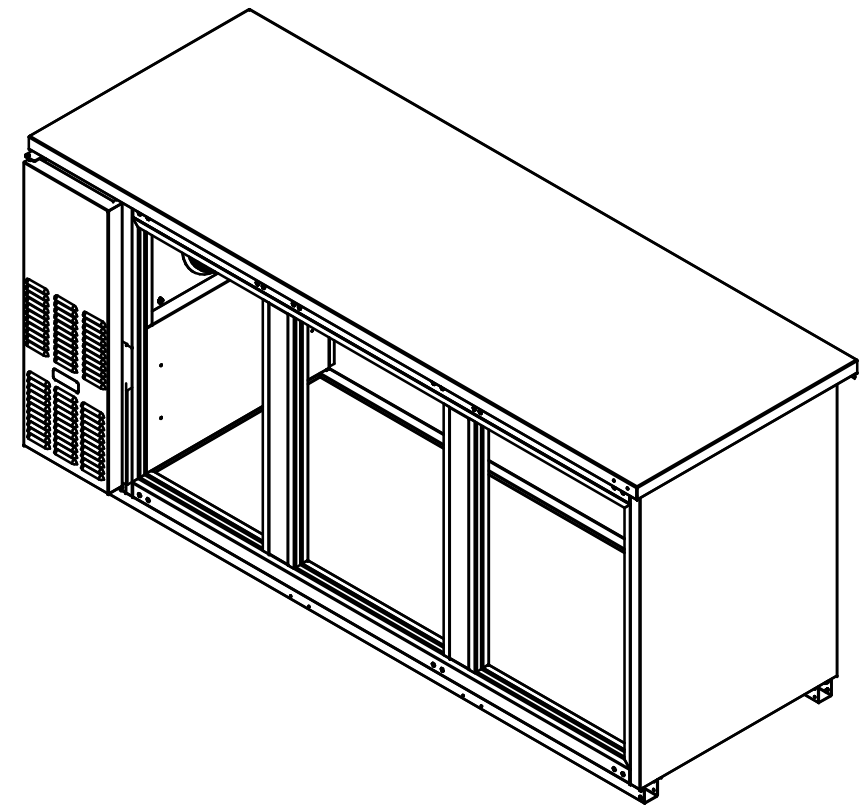
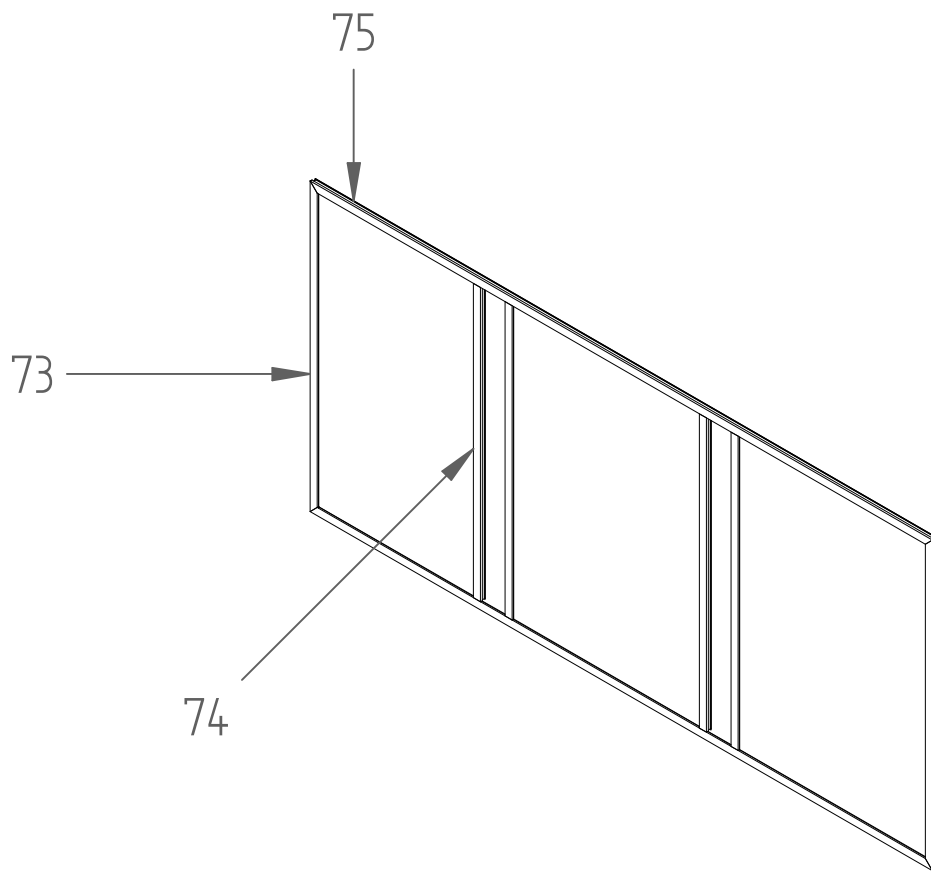


ZONA/ZONE	PANELS	LAMINA/DRAWING	11	BB 59_95 HC
-----------	--------	----------------	----	-------------

ITEM	REFERENCIA REFERENCE	DENOMINATION	PANELS												RECOMENDED	ELIMINADO ELIMINATED	INTRODUCIDO INTRODUCED	NOTAS / NOTES			
			BB59	BB 69	BB 80	BB 95	G				S								GS		
<b>PANELS</b>																					
60	12195836	BACK PANEL	1	1	1	1	1	1	1	1	1	1	1	1	1	1	1	1			
	12227157	BACK PANEL SS													1	1	1	1	1	1	1
61	12222097	FRONT PANEL	1	1	1	1	1	1	1	1	1	1	1	1	1	1	1	1			
	12222036	FRONT PANEL SS													1	1	1	1	1	1	1
62	12190968	CATCH MAG DOOR	1	1	1	1	1	1	1	1	1	1	1	1	1	1	1	1	1	1	1
63	12191187	ACRYLIC LENS	1	1	1	1	1	1	1	1	1	1	1	1	1	1	1	1	1	1	1
64	12213300	SNAP BUSHING	2	2	2	2	2	2	2	2	2	2	2	2	2	2	2	2	2	2	2
65	12216175	TOP HINGE	1	1	1	1	1	1	1	1	1	1	1	1	1	1	1	1	1	1	1
66	12216178	BOTTOM HINGE	1	1	1	1	1	1	1	1	1	1	1	1	1	1	1	1	1	1	1
	12206608	PANEL SIDE	1	1	1	1	1	1	1	1	1	1	1	1	1	1	1	1	1	1	1
67	12206184	PANEL SIDE SS													1	1	1	1	1	1	1
	12206614	DOORS PANEL		1																	
	12226950	DOORS PANEL 69 SS													1						
68	12206609	DOORS PANEL				2															
	12207876	DOORS PANEL 95 SS																			2



ZONA/ZONE		SHELVES				LAMINA/DRAWING											14	BB 59_95 HC			
ITEM	REFERENCIA REFERENCE	DENOMINATION					G				S				GS			RECOMENDED	ELIMINADO ELIMINATED	INTRODUCIDO INTRODUCED	NOTAS / NOTES
			BB59	BB 69	BB 80	BB 95	BB G 59	BB G 69	BB G 80	BB G 95	BB 59 S	BB 69 S	BB 80 S	BB 95 S	BB G 59 S	BB G 69 S	BB G 80 S				
<b>SHELVES</b>																					
69	12206325	PILASTER SUPPORT	1	1	1	1	1	1	1	1	1	1	1	1	1	1	1				
70	12190900	PILASTER 20.2"	8	8	12	12	8	8	12	12	8	8	12	12	8	8	12	12			
71	12188096	SS CLIP	16	16	24	24	16	16	24	24	16	16	24	24	16	16	24	24			
72	12190688	FLAT RACK FOR 59-80	4		2		4		2		4		2		4		2				
	12190691	FLAT RACK FOR 69-95		4		6		4		6		4		6		4		6			
	12190689	FLAT RACK FOR 80 CENTER			2				2				2				2				
	12190690	FLAT RACK FOR 80 LEFT			2				2				2				2				

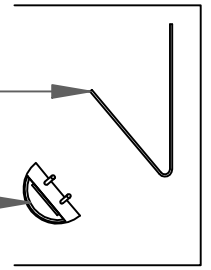


REFERENCE PICTURE

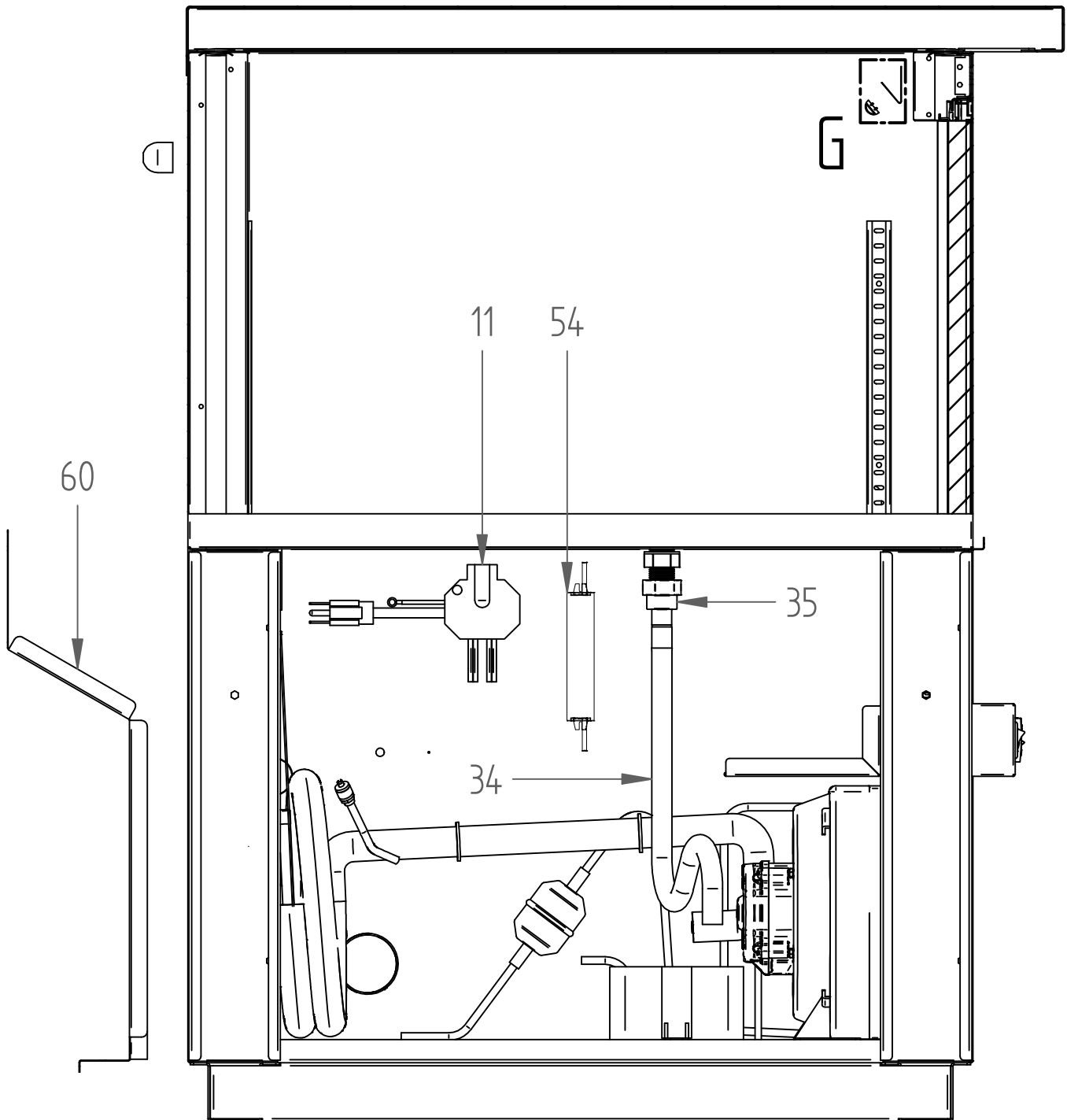
ZONA/ZONE		PLASTIC FRAME				LAMINA/DRAWING								14	BB 59_95 HC		
ITEM	REFERENCIA REFERENCE	DENOMINATION					G		S		GS		RECOMENDED	ELIMINADO ELIMINATED	INTRODUCIDO INTRODUCED	NOTAS / NOTES	
			BB59	BB 69	BB 80	BB 95	BB G 59	BB G 69	BB G 80	BB G 95	BB 59 S	BB 69 S					BB 80 S
<b>PLASTIC FRAME</b>																	
73	12200483	SIDE STRIP	2				2			2			2				
	12200484	SIDE STRIP		2				2					2				
	12200485	SIDE STRIP			2			2			2			2			
	12200486	SIDE STRIP				2			2			2			2		
74	12200487	CENTRAL STRIP	2	2	4	4	2	2	4	4	2	2	4	4			
75	12200510	TOP STRIP	2	2	2	2	2	2	2	2	2	2	2	2	2	2	

56

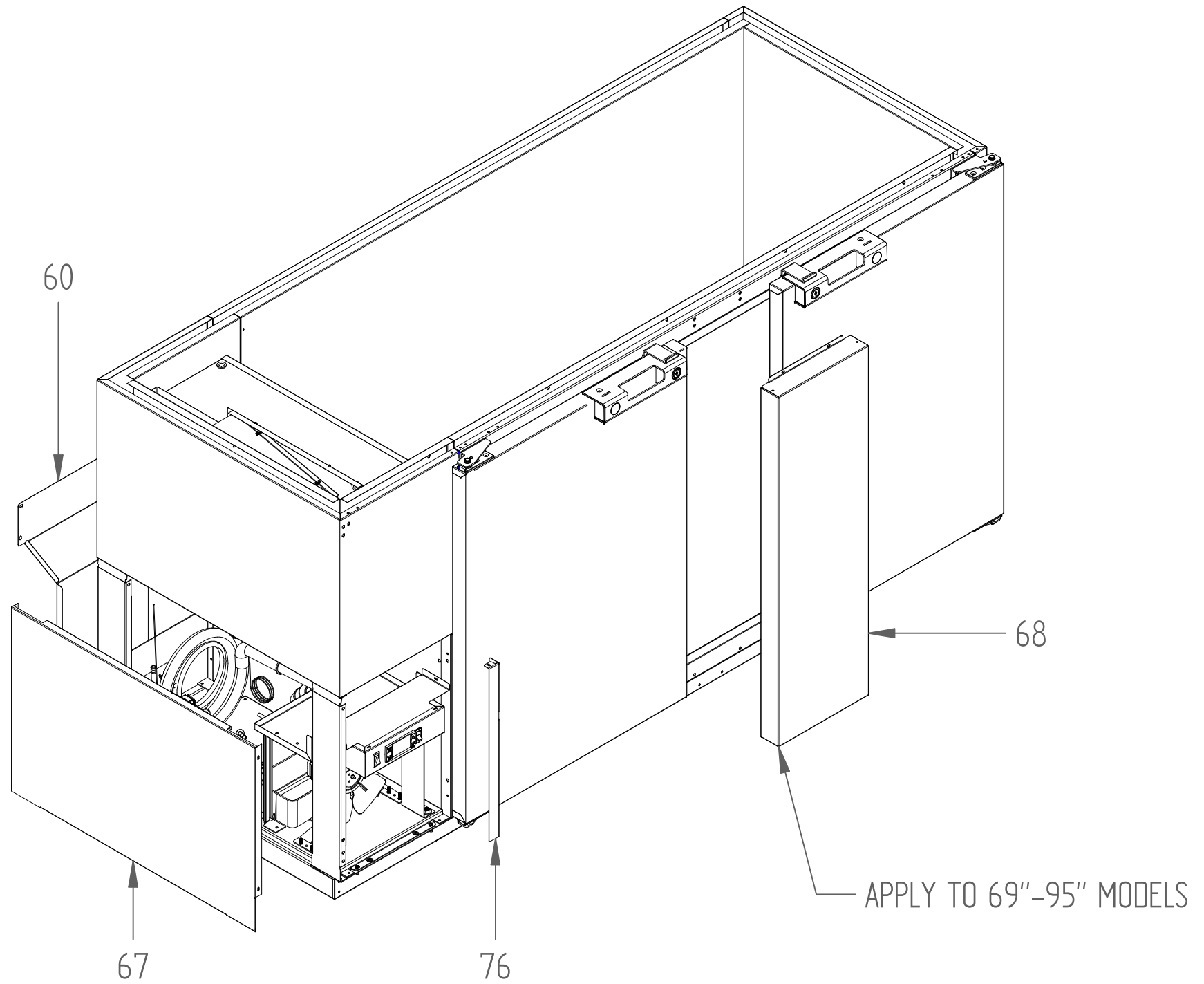
57



DETAIL G







ZONA/ZONE	SCREWS	LAMINA/DRAWING														BB 59_95 HC
-----------	--------	----------------	--	--	--	--	--	--	--	--	--	--	--	--	--	-------------

ITEM	REFERENCIA REFERENCE	DENOMINATION					G				S				GS				RECOMENDED	ELIMINADO ELIMINATED	INTRODUCIDO INTRODUCED	NOTAS / NOTES
			BB59	BB 69	BB 80	BB 95	BB G 59	BB G 69	BB G 80	BB G 95	BB 59 S	BB 69 S	BB 80 S	BB 95 S	BB G 59 S	BB G 69 S	BB G 80 S	BB G 95 S				

SCREWS																						
76	12190891	RIGHT LIGHT TRIM	1	1	1	1	1	1	1	1												
	12206442	RIGHT LIGHT TRIM SS								1	1	1	1	1	1	1	1					
77	12191519	COMPRESSOR SCREW MOUNT	4	4	4	4	4	4	4	4	4	4	4	4	4	4	4					
78	12189583	SCREW M6X16	14	14	20	20	14	14	20	20	14	14	20	20	14	14	20	20				
79	12191590	SCREW FLAT HEAD M4 X 10	4	4	6	6	4	4	6	6	4	4	6	6	4	4	6	6				
80	12191506	SCREW DRILL 8X1/2"	4	4	4	4	4	4	4	4	4	4	4	4	4	4	4	4				
81	12189959	MANUAL SCREW M4X12	10	10	10	10	10	10	10	10	10	10	10	10	10	10	10	10				
82	12191518	SCREW ALLEN 6X16	6	6	6	6	6	6	6	6	6	6	6	6	6	6	6	6				
83	12191589	SCREW FLAT HEAD 10-32 X 5/8"	12	12	18	18	12	12	18	18	12	12	18	18	12	12	18	18				
84	12189582	SCREW M4X10 SS	20	20	20	20	20	20	20	20	20	20	20	20	20	20	20	20				

**HOSHIZAKI AMERICA, INC.**

---

618 Hwy. 74 South, Peachtree City, GA 30269 USA (P) 770.487.2331 (F) 770.487.3360 [hoshizakiamerica.com](http://hoshizakiamerica.com)