



EV9272-41

# QC7I Single Head

Filter head exclusively for Everpure replacement cartridges



QC7I Single Head: EV9272-41

## BENEFITS

Commercial quality filter head is designed exclusively to fit Everpure filter cartridges

Includes built-in water shut off valve

Includes mounting bracket and screws

Built-in water pressure gauge helps monitor proper flow

All wetted parts have passed NSF extraction tests

Engineered for durability, strength and longevity

Will not corrode

## INSTALLATION TIPS

Mounts directly onto flat surface

Install vertically so cartridge hangs down

Allow 2-1/2" clearance below the cartridge for easy cartridge replacement

Flush filter by running water through filter according to cartridge instructions

## OPERATION TIPS

Change cartridges on a regular 6 month preventative maintenance program

Change cartridges when capacity is reached or when pressure decreases

Always flush the filter cartridge at time of installation and cartridge change

## APPLICATION/SIZING

For foodservice applications

Capacity: varies according to filter cartridge used

# QC7I Single Head

## SPECIFICATIONS

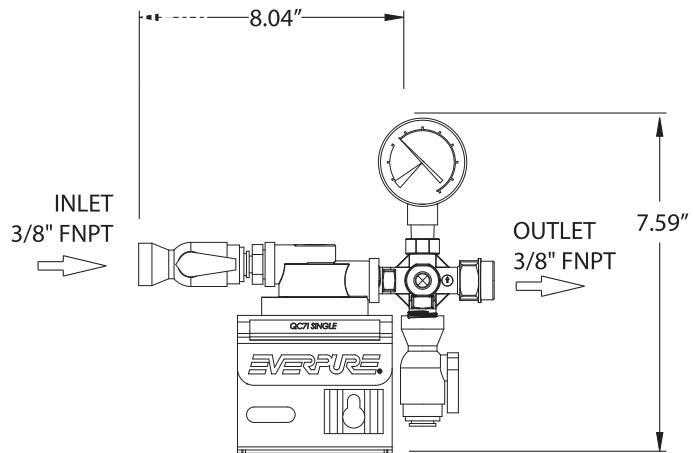
Overall Dimensions: 7.59"H x 8.04"W x 5.25"  
D

Inlet connection: 3/8"

Outlet connection: 3/8"

No electrical connection required

Shipping Weight: 1 lbs.



## WARRANTY

Everpure water treatment systems (excluding replaceable elements) are covered by a limited warranty against defects in material and workmanship for a period of five years after date of purchase. Everpure replaceable elements (filter cartridges and water treatment cartridges) are covered by a limited warranty against defects in material and workmanship for a period of one year after date of purchase. See printed warranty for details. Everpure will provide a copy of the warranty upon request.

### EVERPURE®

*Worldwide Headquarters:*  
EVERPURE, LLC  
1040 Muirfield Drive  
Hanover Park, Illinois 60133  
Toll Free (800) 323-7873  
Tel (630) 307-3000  
Fax (630) 307-3030  
<http://www.everpure.com>

*In Europe:*  
Pentair Water Belgium B.V./B.A.  
Industriepark Wolfstee  
Toekomstlaan 30  
B- 2200 Herentals  
BELGIUM  
TEL: +32.(0).14.283.500  
FAX: +32.(0).14.283.505

*In Japan:*  
Hashimoto MN Bldg. 7F  
3-25-1 Hashimoto Sagamihara-Shi  
Kanagawa 229-1103  
JAPAN  
TEL: 81.(0)42.775.3011  
FAX: 81.(0)42.775.3015