



Simply Engineered Better

501HT

Undercounter High Temperature Dishwashing Machine with Built-in Booster Heater



*Shown with standard top and side panels

SPECIFIER STATEMENT

Specified unit will be Moyer Diebel Model 501HT undercounter high temperature dishwasher or equivalent, complete with 1 Hp pump motor, soft start feature, sealed feather touch top mounted controls, 2 kW tank heater, infinite vari-cycle button, all stainless steel frame, fill and drain type operation. Machine to have a minimum of 15 3/4" [400mm] opening to accommodate trays and must be equipped with rinse sentry feature to ensure 180°F final rinse temperature.

1 year parts and labour warranty.



MD008 Printed in U.S.A.

Project _____
 Item No. _____
 Quantity _____

501HT UNDERCOUNTER

STANDARD FEATURES

- **Ideal for heavy food soil loads**
- Moyer Diebel's exclusive fill and drain operating principle means "fresh water wash" – **rinse water** is always used as next cycle's **wash water**.
- "Vari-cycle" button. Allows unlimited number of user selectable wash cycle times
- 316 stainless steel tank bottom for improved corrosion resistance, an industry exclusive!
- New **Hydro Flow** booster provides improved performance and consistent rinse temperatures
- Delime cycle with automatic delime notification
- Auto-clean cycle
- Standard insulated booster and top and side panels for better heat retention
- Soft start provides gradual and quiet pump activation and helps prevent dish and glass breakage
- **50 Amp breaker** only for **70° rise in 208/60/1**
- 40 amp breaker only for 40° rise in 208/60/1
- Large 15-3/4" (400mm) door opening accommodates trays
- Solid state temperature controls and displays for greater accuracy and reliability
- Optional three phase model
- 2 kW tank heater maintains optimum wash water temperature
- Flexible fill and drain lines, flow regulator/line strainer and standard pumped drain for total ease of installation
- Service diagnostics for greater ease of troubleshooting

OPTIONS & ACCESSORIES

- | | |
|---|-------------|
| <input type="checkbox"/> 17RS - 17" [432mm] rack storage stand | P/N 0708757 |
| <input type="checkbox"/> 6T - 6" stand | P/N 0712393 |
| <input type="checkbox"/> 70°F/39°C rise booster for 110°F/43°C incoming water | Available |
| <input type="checkbox"/> Three phase | Available |

Moyer Diebel Ltd. – Canada

2674 North Service Rd., Jordan Station, Ontario, Canada L0R 1S0 Tel: 800/263-5798 Fax: 905/562-5422
 sales@moyerdiebellimited.com

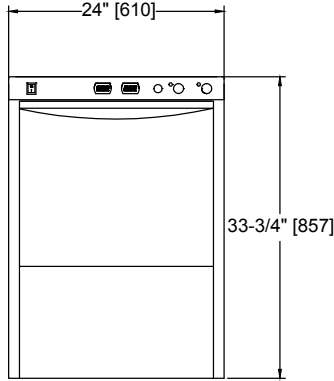


Simply Engineered Better

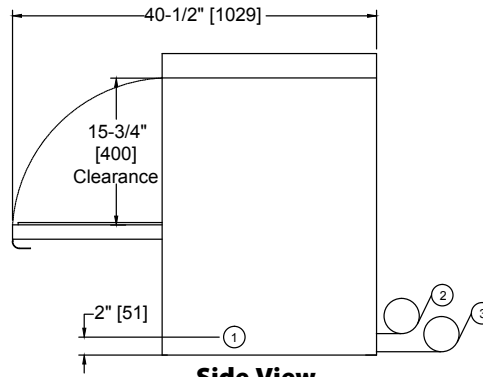
501HT

Undercounter
High Temperature Dishwashing Machine
with Built-in Booster Heater

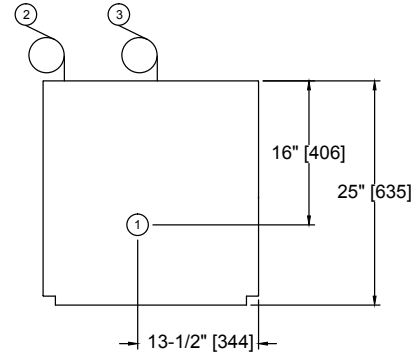
Dimensions shown in inches and [millimeters]



Front View



Side View



Plan View

SPECIFICATIONS

Capacity *Racks per hr.	25
Motor Horsepower Wash	1
Water Consumption Imp. gal./liters per hr. (max. use)	31.9/145
Imp. gal./liters per rack	1.5/6.8
Temperatures °F/°C Wash (minimum)	150/66
Rinse (minimum)	180/82
Heating Tank heat, electric (kW)	2
Electric booster (kW required for 40°F/22°C rise)	6
(kW required for 70°F/39°C rise)	9
Time Cycle in Seconds Wash	90
Rinse	26
Drain/fill	25
Total cycle	141

* Excludes 30 second NSF load/unload time

Utilities

- Electrical Connection**
115/208-240/60/1; 3 wire plus ground. Hard wiring required (see box)
115/208-240/60/3; 4 wire plus ground.
- Water Connection**
140°F/60°C Min., hot water for 40°F/22°C rise booster.
110°F/43°C Min., hot water for 70°F/39°C rise booster.
5 ft. long 1/2" I.D. flexible fill hose with 3/4" garden hose connection provided.
Flow pressure: 25-95 psi (173-656 kPa)
- Drain Connection**
5 ft. long, 5/8" I.D. flexible drain hose provided. For Y connection into 1-1/2" drain.
Max. drain flow: 7 gpm.; 32 imp, maximum 3' height above floor

1 Phase 40°F/22°C Rise Booster	Rated Amps	Minimum Supply Ckt. Conductor Ampacity	Maximum Overcurrent Protective Device
115/208/60/1	32	40	40
115/240/60/1	36	40	40
1 Phase 70°F/39°C Rise Booster	Rated Amps	Minimum Supply Ckt. Conductor Ampacity	Maximum Overcurrent Protective Device
115/208/60/1	43	50	50
115/240/60/1	50	60	60

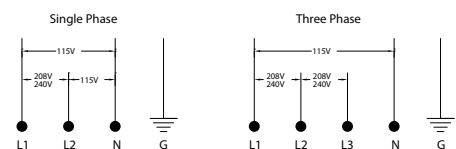
3 Phase 40°F/22°C Rise Booster	Rated Amps	Minimum Supply Ckt. Conductor Ampacity	Maximum Overcurrent Protective Device
115/208/60/3	22	30	30
115/240/60/3	24	30	30
3 Phase 70°F/39°C Rise Booster	Rated Amps	Minimum Supply Ckt. Conductor Ampacity	Maximum Overcurrent Protective Device
115/208/60/3	29	35	35
115/240/60/3	33	40	40

	Uncrated	Crated
Height*	33-3/4" [860]	39-1/2" [1003]
Width	24" [610]	25" [635]
Depth	24" [610]	25-1/2" [647]
Ship Wt. lbs/kg	178/79	198/90

* Front leveling feet provided.

Moyer Diebel – Canada
2674 N. Service Rd, Jordan Station, Ontario, Canada L0R 1S0
800/263-5798 • Fax: 905/562-5422

ChampionIndustries.com/canada • sales@moyerdiebellimited.com



an Ali Group Company



The Spirit of Excellence