


# WAVE15-S-APS, PF

Height: 17.4" Width: 9.7" Depth: 17.7"  
(44.2cm) (24.6cm) (45.0cm)



- BrewMETER® allows automatic programming of pulse routine
- Adjustable legs to accommodate up to 3.0L lever action and 2.5L push button BUNN airpots and thermal servers
- Analog switches accompanied by red/green LED for programming
- Brew into 1.9L thermal carafe using the slide-out booster tray
- Choice of three pulse brew routines to adjust your flavor profile
- Red/green LED provide brewer status (ready, heating, brewing)
- SmartWAVE technology increases turbulence in the brew funnel
- Silver Version
- Energy-saver mode reduces tank temperature during idle periods
- Ensures coffee brew quality with cold brew lock out capability
- SplashGard® funnel deflects hot liquids away from the hand
- Servers not included unless otherwise noted

 Server(s) sold separately

Agency:

## Specifications

**Product #:** 39900.6006

**Faucet:** Lower

**Water Access:** Plumbed

**Finish:** Stainless

**Funnel:** Black Plastic

## Additional Features

Silver Series

## Electrical & Capacity

Volts*	Amps	Watts	Cord Attached	Plug Type	8oz cups/hr 236ml cups/hr	Input H <sup>2</sup> O Temp.	Phase	# Wires plus Ground	Hertz
-	-	-	-	-	62	60°F (15.5°C)	-	-	-

\*When a BUNN is machine rated 120/208-240V, 120/208V or 120/240V, the higher voltage is the supply voltage needed to power the machine. The 120V is there to supply power to some components rated 120V in the machine, but it is not the supply voltage and would not power the machine if the machine is marked with the before mentioned ratings.

## Plumbing Requirements

PSI	kPa	Fitting Supplied	Water Flow Required (GPM)
20-90	138-621	1/4" Male Flare Fitting	-

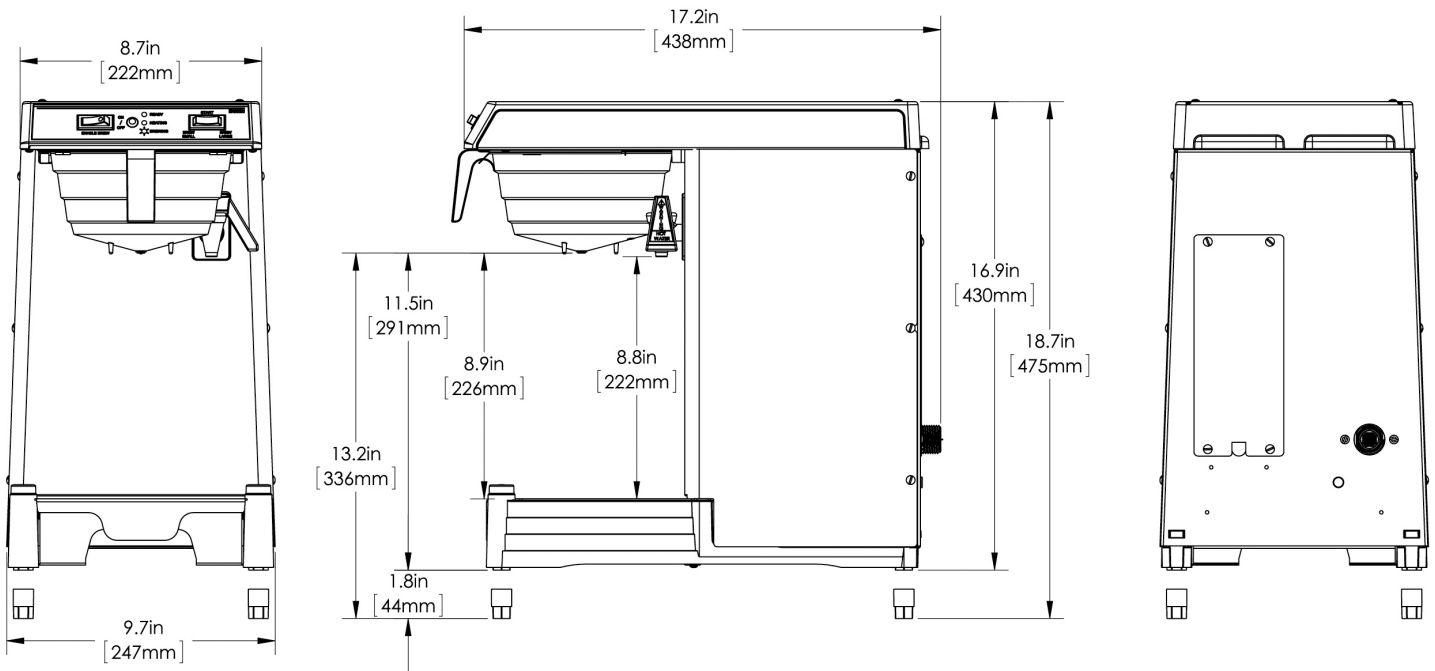
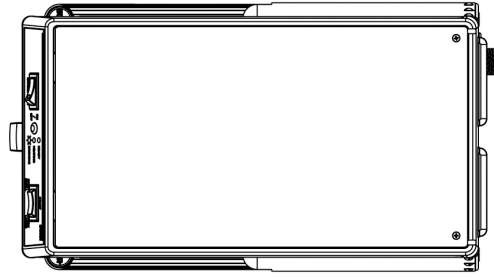
## CAD Drawings

2D	Revit	KLC
●		



BUNN® reserves the right to change specifications and product design without notice. Such revisions do not entitle the buyer to corresponding changes, improvements, additions or replacements for previously purchased equipment. For most current specifications and other info visit [bunn.com](http://bunn.com).

Last Updated:  
03/22/2021



Unit			Shipping					
	Height	Width	Depth	Height	Width	Depth	Weight	Volume
English	17.4 in.	9.7 in.	17.7 in.	19.5 in.	12.4 in.	19.5 in.	-	2.723 ft <sup>3</sup>
Metric	44.2 cm	24.6 cm	45.0 cm	49.5 cm	31.4 cm	49.5 cm	-	0.077 m <sup>3</sup>



BUNN® reserves the right to change specifications and product design without notice. Such revisions do not entitle the buyer to corresponding changes, improvements, additions or replacements for previously purchased equipment. For most current specifications and other info visit [bunn.com](http://bunn.com).

Last Updated:  
03/22/2021

Related Products & Accessories:WAVE15-S-APS, PF(39900.6006)



FILTERS,REG/1M

Product #: 20115.6000



FUNNEL W/DECALS,  
BLACK PLASTIC

Product #: 20583.0003



BUNN® reserves the right to change specifications and product design without notice. Such revisions do not entitle the buyer to corresponding changes, improvements, additions or replacements for previously purchased equipment. For most current specifications and other info visit [bunn.com](http://bunn.com).

Last Updated:  
03/22/2021

# Serving & Holding Options: WAVE15-S-APS, PF(39900.6006)



AIRPOT, 2.5L GL PB  
SINGLE PK

Product #:13041.0001



AIRPOT, 2.5L GL PB 6/  
CASE

Product #:13041.0101



ACC,2.5 LITRE AIRPOT  
BLACK

Product #:13041.6000



TSR-1, THERMAL SRVR  
RACK-1 POSN

Product #:18008.6001



ACC, 1.9L THERMAL  
CARAFE SST

Product #:18022.6002



AIRPOT, 2.2L GL PB  
SINGLE PK

Product #:28696.0002

NO IMAGE  
AVAILABLE

AIRPOT, 2.2L GL PB 6/  
CASE

Product #:28696.0006



ACC, AIRPOT 2.2 LITRE  
SINGLE PACK

Product #:28696.6000



AIRPOT, 2.5L SST LA  
SINGLE PK

Product #:32125.0000



AIRPOT, 2.5L SST LA 6/  
CASE

Product #:32125.0100



AIRPOT, 3.0L SST LA  
SINGLE PK

Product #:32130.0000



AIRPOT, 3.0L SST LA 6/  
CASE

Product #:32130.0100



THERMAL CARAFE, BLK  
1.83 L 1PK

Product #:36029.0001



THERMAL CARAFE, ORN  
1.9L 12PK

Product #:36252.0000



THERMAL CARAFE, ORN  
1.9L 1PK

Product #:36252.0001



PITCHER, SST 1.9L TALL-  
SNGL PK

Product #:39430.0000



PITCHER, SST 1.9L  
TALL-6/CASE

Product #:39430.0100



CARAFE, SST 1.9L SHRT  
BLK 1

Product #:40163.0000

NO IMAGE  
AVAILABLE

THERMAL SRVR, 2.5L 6/  
CS NO BASE GL LINR

Product #:45882.0001



BUNN® reserves the right to change specifications and product design without notice. Such revisions do not entitle the buyer to corresponding changes, improvements, additions or replacements for previously purchased equipment. For most current specifications and other info visit [bunn.com](http://bunn.com).

Last Updated:  
03/22/2021