


AXIOM®-DV-TC

Height: 17.9" Width: 9.0" Depth: 22.5"
(45.5cm) (22.9cm) (57.2cm)



- Adjusts automatically to varying water pressure
- For high lime areas, BrewLOGIC® technology calculates flow rate and adjusts brew time to maintain consistent pot levels
- Electronic diagnostics and built-in tank drain make service easier
- Ensure coffee quality with programming for brew level, cold brew lock-out and tank temperature, set easily from the front of the machine
- Coffee extraction controlled with programmable pre-infusion, pulse brew and digital temperature control
- Large 200oz. (5.9L) tank provides back-to-back brewing capacity
- Accepts thermal carafe up to 8.5" (21.6 cm) tall
- Energy-saver mode reduces tank temperature during idle periods
- Hot water faucet
- SplashGard® funnel deflects hot liquids away from the hand
- Dual voltage adaptable (Can operate at 120V/15 amp or 120/208-240V/20 amp)
- Use in quick turn environments where high quality coffee is continuously refreshed
- Servers not included unless otherwise noted

Agency:

 Server(s) sold separately

Specifications

Product #: 38700.6011

Faucet: Upper

Water Access: Plumbed

Finish: Stainless

Funnel: Black Plastic

Additional Features

DBC

Electrical & Capacity

Volts*	Amps	Watts	Cord Attached	Plug Type	8oz cups/hr 236ml cups/hr	Input H ² O Temp.	Phase	# Wires plus Ground	Hertz
-	-	-	-	-	-	60°F (15.5°C)	-	-	-

*When a BUNN is machine rated 120/208-240V, 120/208V or 120/240V, the higher voltage is the supply voltage needed to power the machine. The 120V is there to supply power to some components rated 120V in the machine, but it is not the supply voltage and would not power the machine if the machine is marked with the before mentioned ratings.

Plumbing Requirements

PSI	kPa	Fitting Supplied	Water Flow Required (GPM)
20-90	138-621	1/4" Male Flare Fitting	-

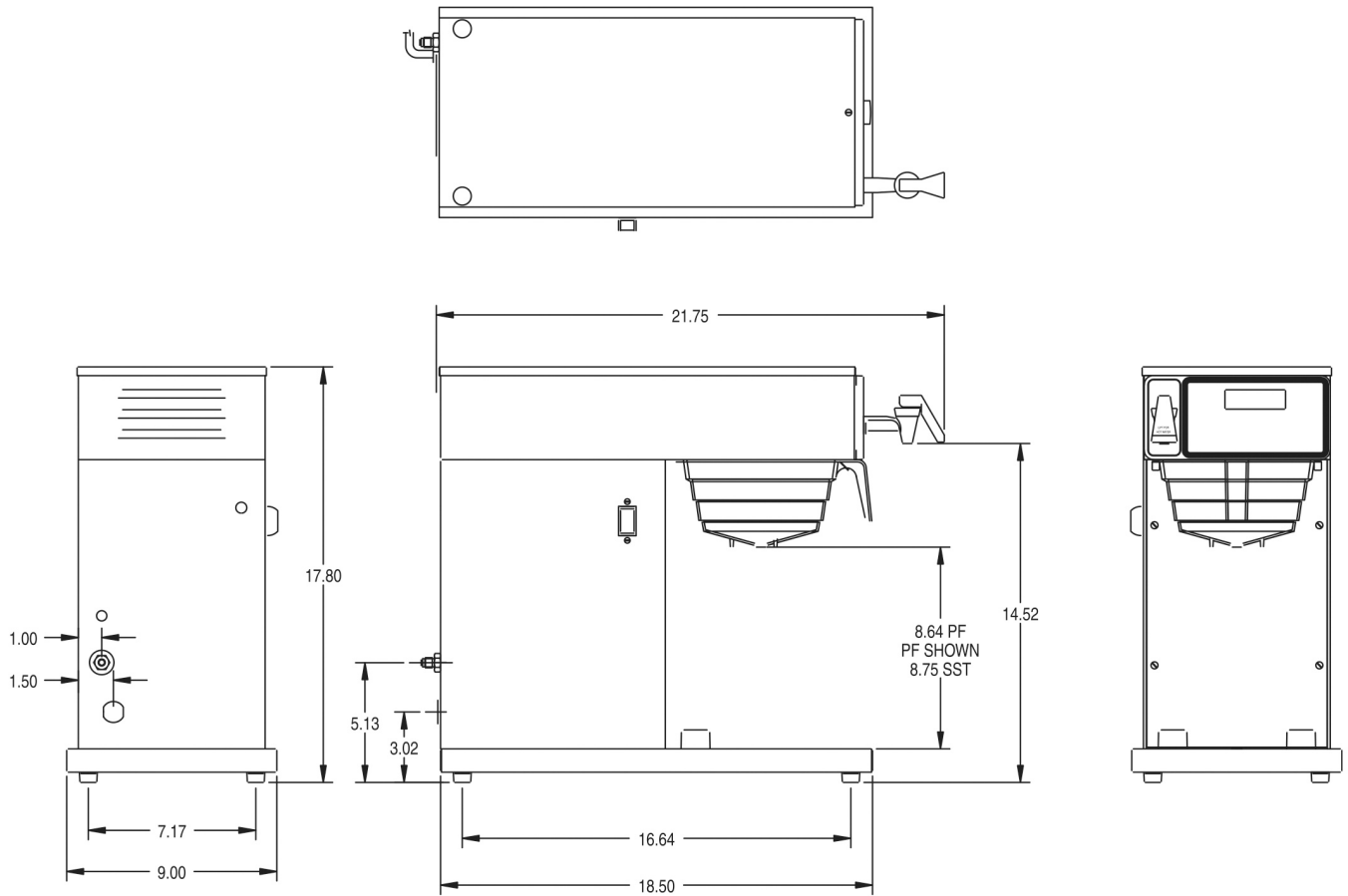
CAD Drawings

2D	Revit	KLC
●		



BUNN® reserves the right to change specifications and product design without notice. Such revisions do not entitle the buyer to corresponding changes, improvements, additions or replacements for previously purchased equipment. For most current specifications and other info visit bunn.com.

Last Updated:
03/22/2021



Unit			Shipping					
	Height	Width	Depth	Height	Width	Depth	Weight	Volume
English	17.9 in.	9.0 in.	22.5 in.	24.8 in.	11.9 in.	25.9 in.	-	4.401 ft ³
Metric	45.5 cm	22.9 cm	57.2 cm	62.9 cm	30.2 cm	65.7 cm	-	0.125 m ³



BUNN® reserves the right to change specifications and product design without notice. Such revisions do not entitle the buyer to corresponding changes, improvements, additions or replacements for previously purchased equipment. For most current specifications and other info visit bunn.com.

Last Updated:
03/22/2021

Related Products & Accessories: AXIOM®-DV-TC(38700.6011)



FILTERS,REG/1M

Product #: 20115.6000



BUNN® reserves the right to change specifications and product design without notice. Such revisions do not entitle the buyer to corresponding changes, improvements, additions or replacements for previously purchased equipment. For most current specifications and other info visit bunn.com.

Last Updated:
03/22/2021

Serving & Holding Options: AXIOM®-DV-TC(38700.6011)



ACC, 1.9L THERMAL
CARAFE SST

Product #: 18022.6002



THERMAL CARAFE, BLK
1.9L 12PK

Product #: 36029.0000



THERMAL CARAFE, BLK
1.83 L 1PK

Product #: 36029.0001



THERMAL CARAFE, ORN
1.9L 12PK

Product #: 36252.0000



THERMAL CARAFE, ORN
1.9L 1PK

Product #: 36252.0001



CARAFE, SST 1.9L SHRT
BLK 1

Product #: 40163.0000



BUNN® reserves the right to change specifications and product design without notice. Such revisions do not entitle the buyer to corresponding changes, improvements, additions or replacements for previously purchased equipment. For most current specifications and other info visit bunn.com.

Last Updated:
03/22/2021