

# CWTF15-2, PF (1U/1L Warmer)

Height: 18.9" (48.0cm) Width: 8.4" (21.3cm) Depth: 21.4" (54.4cm)



- Model is space-saving 8.5" (21.6cm) wide
- All stainless steel construction
- Hot water faucet (requires active plumbing connection)
- Pourover feature
- SplashGard® funnel deflects hot liquids away from the hand
- PROP 65 Warning Decal included in packaging with equipment
- Servers not included unless otherwise noted

Server(s) sold separately

Agency:



## Specifications

**Product #:** 12950.0211

**Faucet:** Upper

**Water Access:** Plumbed

**Warmers:** One Upper/ One Lower

**Finish:** Stainless

**Funnel:** Black Plastic

## Additional Features

Pourover Option

## Electrical & Capacity

Volts*	Amps	Watts	Cord Attached	Plug Type	8oz cups/hr 236ml cups/hr	Input H <sub>2</sub> O Temp.	Phase	# Wires plus Ground	Hertz
120	13	1570	Yes	NEMA 5-15P	61	60°F (15.5°C)	1	2	60

\*When a BUNN is machine rated 120/208-240V, 120/208V or 120/240V, the higher voltage is the supply voltage needed to power the machine. The 120V is there to supply power to some components rated 120V in the machine, but it is not the supply voltage and would not power the machine if the machine is marked with the before mentioned ratings.

## Plumbing Requirements

PSI	kPa	Fitting Supplied	Water Flow Required (GPM)
20-90	138-621	1/4" Male Flare Fitting	-

## CAD Drawings

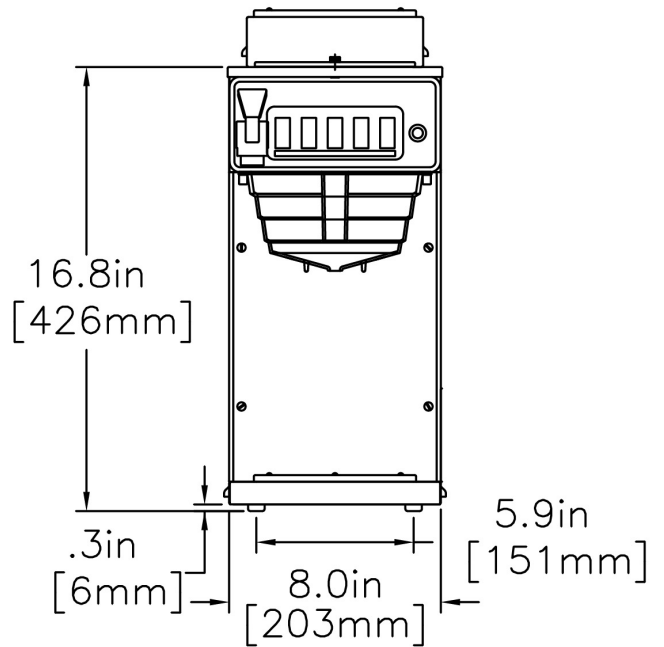
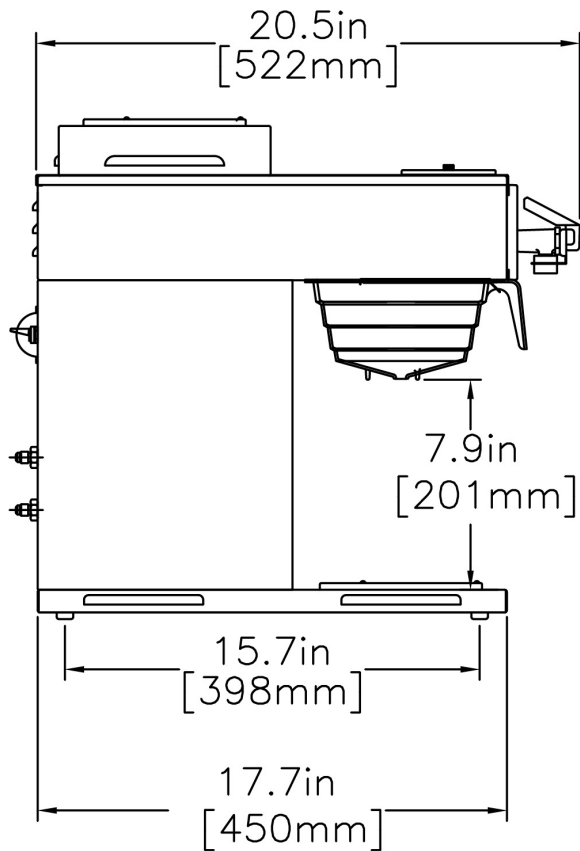
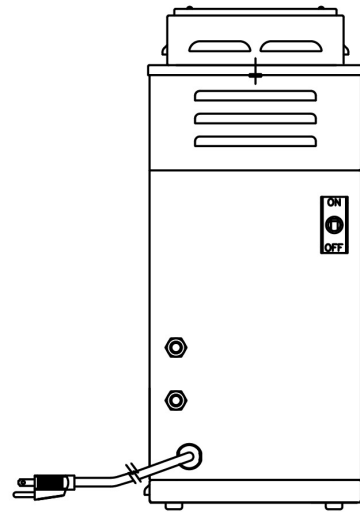
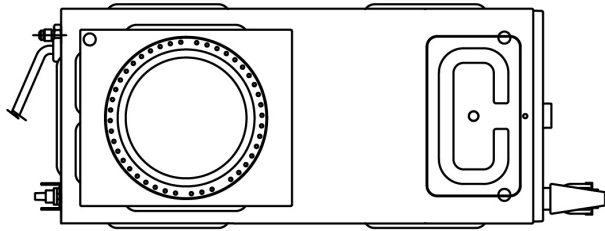
2D	Revit	KLC
●		

**WARNING:** This product can expose you to chemicals including Bisphenol A (BPA), which is known to the State of California to cause birth defects or other reproductive harm. For more information go to [www.P65Warnings.ca.gov](http://www.P65Warnings.ca.gov)



BUNN® reserves the right to change specifications and product design without notice. Such revisions do not entitle the buyer to corresponding changes, improvements, additions or replacements for previously purchased equipment. For most current specifications and other info visit [bunn.com](http://bunn.com).

Last Updated:  
07/08/2021



	Unit			Shipping				
	Height	Width	Depth	Height	Width	Depth	Weight	Volume
English	18.9 in.	8.4 in.	21.4 in.	23.8 in.	12.5 in.	26.5 in.	32.100 lbs	4.566 ft <sup>3</sup>
Metric	48.0 cm	21.3 cm	54.4 cm	60.3 cm	31.8 cm	67.4 cm	14.561 kgs	0.129 m <sup>3</sup>



BUNN® reserves the right to change specifications and product design without notice. Such revisions do not entitle the buyer to corresponding changes, improvements, additions or replacements for previously purchased equipment. For most current specifications and other info visit [bunn.com](http://bunn.com).

Last Updated:  
07/08/2021

Related Products & Accessories: CWTF15-2, PF (1U/1L Warmer)(12950.0211)



FILTERS,REGULAR1M  
500/2 50/CL

Product #: 20115.0000



FUNNEL W/DECALS,  
BLACK PLASTIC

Product #: 20583.0003



BUNN® reserves the right to change specifications and product design without notice. Such revisions do not entitle the buyer to corresponding changes, improvements, additions or replacements for previously purchased equipment. For most current specifications and other info visit [bunn.com](http://bunn.com).

Last Updated:  
07/08/2021

# Serving & Holding Options: CWTF15-2, PF (1U/1L Warmer)(12950.0211)



EASY POUR®,(BLK) 1/CS  
Product #:06100.0101



EASY POUR®,(BLK) 2/CS  
Product #:06100.0102



EASY POUR®,(BLK) 3/CS  
Product #:06100.0103



EASY POUR®,(BLK) 6/CS  
Product #:06100.0106



EASY POUR®,(BLK) 12/CS  
Product #:06100.0112



EASY POUR®,(BLK) 24/CS  
Product #:06100.0124



EASY POUR®,(ORN) 1/CS  
Product #:06101.0101



EASY POUR®,(ORN) 2/CS  
Product #:06101.0102



EASY POUR®,(ORN) 3/CS  
Product #:06101.0103



EASY POUR®,(ORN) 24/CS  
Product #:06101.0124



DECANTER, GLASS-BLK  
12C 24/CS  
Product #:42400.0024



DECANTER, GLASS-BLK  
12CUP 1PK  
Product #:42400.0101



DECANTER, GLASS-BLK  
12C 3/CS  
Product #:42400.0103



DECANTER, GLASS-ORN  
12C 24/CS  
Product #:42401.0024



DECANTER, GLASS-ORN  
12 CUP 1PK  
Product #:42401.0101



DECANTER, GLASS-ORN  
12C 3/CS  
Product #:42401.0103



BUNN® reserves the right to change specifications and product design without notice. Such revisions do not entitle the buyer to corresponding changes, improvements, additions or replacements for previously purchased equipment. For most current specifications and other info visit [bunn.com](http://bunn.com).

Last Updated:  
07/08/2021